

MAC POWER

www.macpower.it

ISB[®]
INDUSTRIES



CATALOGO AGRICOLA

ED. NOVEMBRE 2017

ITALIAN
MANUFACTURING



UNI EN ISO 9001:2008
CERT. N. 50 100 10098 - Rev. 02

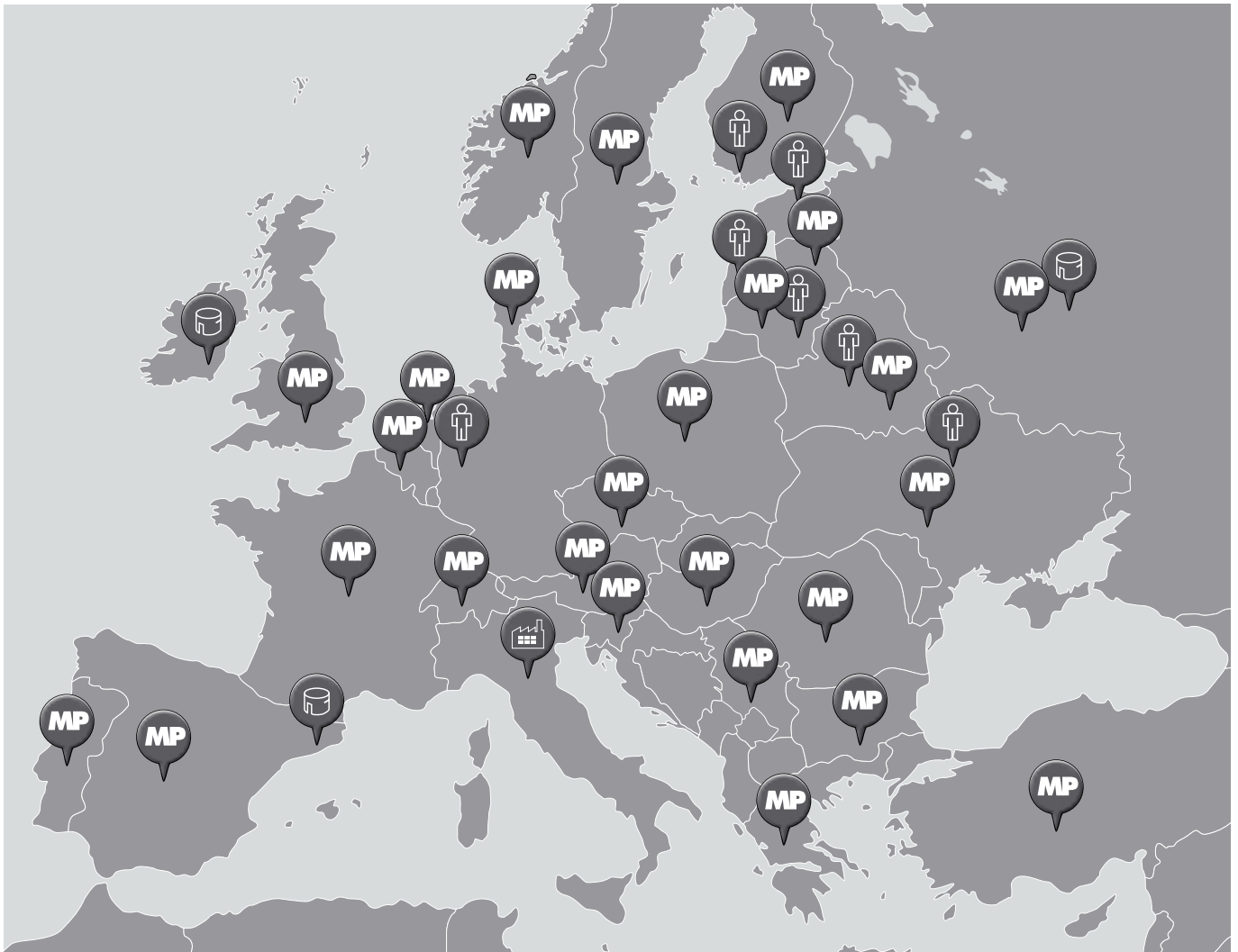
MAC POWER

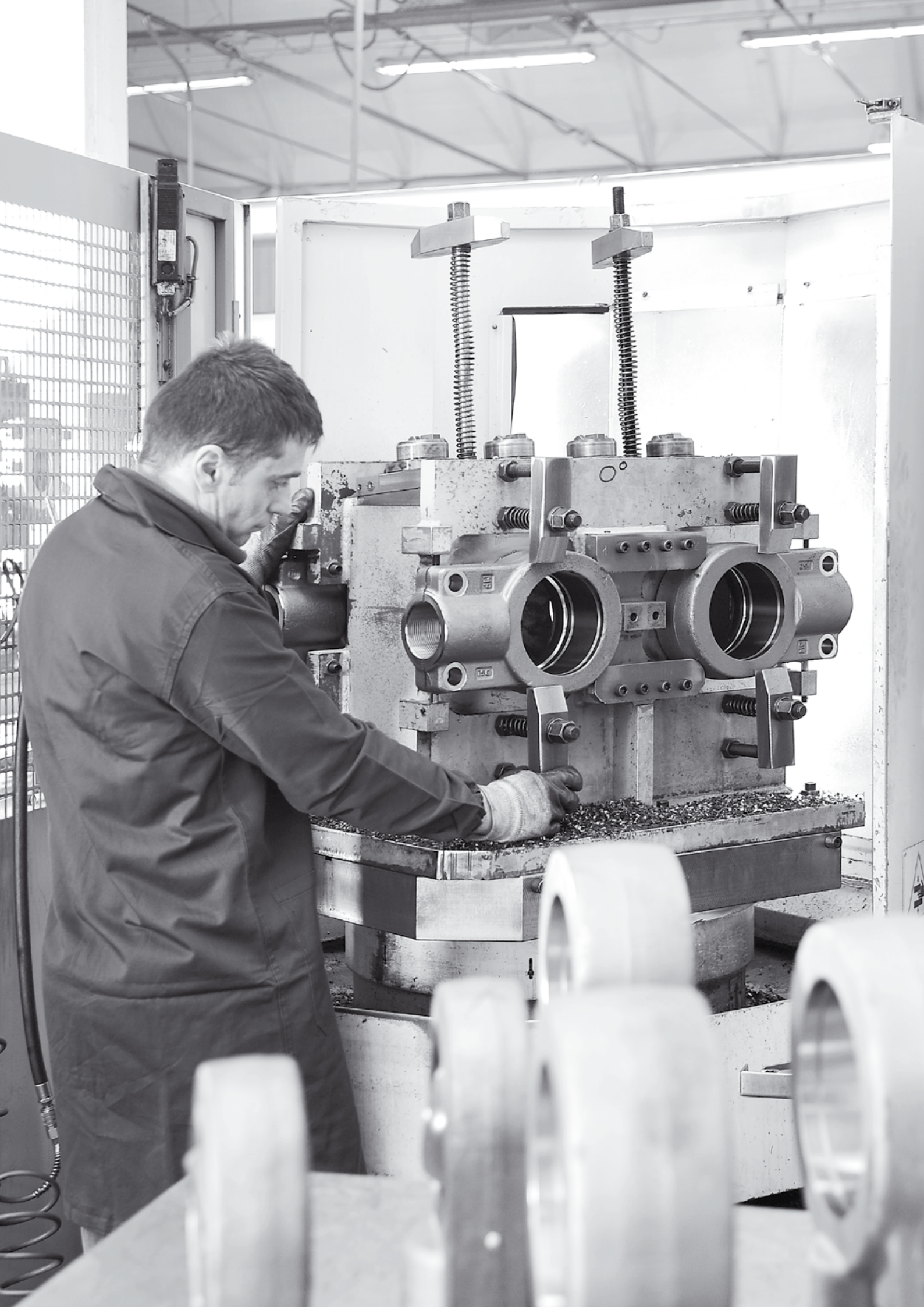
I La MAC POWER è riconosciuta da anni come il principale produttore di Terminali a Snodo, grazie alla produzione di articoli di elevata qualità ed al continuo impegno nella progettazione e nello sviluppo. Costruendo internamente stampi ed attrezzature, ed utilizzando tecniche avanzate di controllo di qualità, MAC POWER è in grado di gestire ogni stadio del processo produttivo in modo tale da garantire un elevatissimo standard qualitativo.

GB MAC POWER is well known in the market for being the most important italian manufacturer of articulated ball joints terminal thanks to its high quality products and constant commitment to research and development. The company produces its own tools and dies, and through its use of highly advanced technology, MAC POWER is able to control every phase of the manufacturing process in order to guarantee maximum quality standards.

F La Société MAC POWER est reconnue depuis longtemps comme le principal producteur italien d'embouts à rotule grâce à la fabrication de produits d'haute qualité et à l'implémentation soit de la conception technique soit du niveau de développement. La société suit entièrement la production en usinant les moules et les équipements, donc, en utilisant techniques avancées de contrôle, Mac Power peut gérer toutes les phases de la fabrication de façon à assurer un niveau qualitatif très élevé.

D MAC POWER ist seit Jahren als der wichtigste italienische Hersteller von Gelenkschlüssen anerkannt, vor allem dank der Produktion von qualitativ hochwertigen Artikeln und dem ständigen Engagement in der Planung und Entwicklung. Durch die eigene Herstellung von Gesenken und Werkzeug und die Anwendung moderner Qualitätskontrolltechniken ist MAC POWER in der Lage, alle Phasen des Produktionsprozesses so zu organisieren, dass höchste Qualitätsstandards gewährleistet sind.



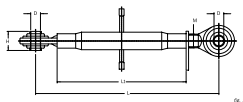
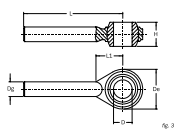
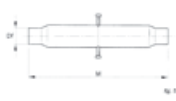

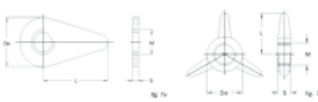
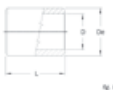
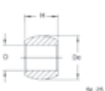






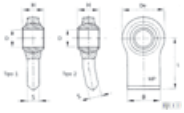
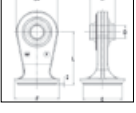
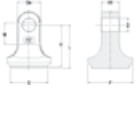




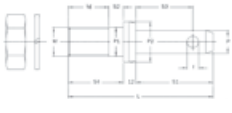
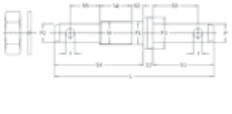



MAC POWER

sezione agricola


**ITALIAN
MANUFACTURING**

| TERMINALE | ARTICOLO | DESCRIZIONE | PAG. |
|---|------------------|---|-----------|
|  | TP | BRACCIO 3° PUNTO | 4 |
|  | TGG | TIRANTE A GAMBO GREZZO CON ROTULA SFERICA | 6 |
|  | MTP | MANICOTTO PER 3° PUNTO | 8 |
|  | CSG - CIG | CORDA DI COMANDO PER GANCIO SUPERIORE E INFERIORE | 8 |
|  | CDP - CDS | CONTRODADI PER BRACCIO 3° PUNTO | 9 |
|  | BUS | BUSSOLE DI RIDUZIONE | 9 |
|  | ROT | ROTULE DI RICAMBIO | 10 |
|  | GRR | GANCIO SUPERIORE "RADIP" A SALDARE CAT. 2/3 PER CILINDRI IDRAULICI | 10 |
|  | ROT | ROTULE PER GANCIO SUPERIORE | 10 |
|  | CR | CONI GUIDA CON ROTULA E SPINA A SCATTO | 11 |
|  | DPR | DISTANZIALI PER ROTULE SENZA CONO | 11 |
|  | ROT | ROTULE SENZA CONI GUIDA PER GANCIO INFERIORE "RAPID" | 11 |

| TERMINALE | ARTICOLO | DESCRIZIONE | PAG. |
|---|-------------|--|-----------|
|  | SUP | SUPPORTO A SNODO SFERICO | 12 |
|  | FSUP | TERMINALI A SNODO CON FONDELLO | 17 |
|  | EFN | TERMINALI CON FONDELLO | 17 |
|  | ASF | ATTACCO SNODATO CON TIRANTE A GAMBO FILETTATO | 18 |
| | TFC | TIRANTE FILETTATO PER CROCERA | 18 |
|  | FRC | FORCELLA CROCERA | 18 |
| | PTQ | PERNO | 18 |
|  | PRC | PERNO PER 3° PUNTO COMPLETO DI CATENA E SPINA A SCATTO | 19 |
|  | PRS | PERNO PER 3° PUNTO SENZA CATENA E SENZA SPINA | 19 |
|  | PAT | PERNO PER ATTACCO ATTREZZI | 20 |
|  | PDA | PERNO DOPPIO PER ATTACCO ATTREZZI | 20 |
|  | BO | BASE OSCILLANTE | 21 |

TP

- FITTED ON TRACTOR
- MONTE SUR LE TRACTEUR
- INSTALLIERT AUF SCHLEPPER

| ART | MARCA E MODELLO |
|---------|---|
| TP 1005 | PER MACCHINE SPECIALI |
| TP 1010 | BERTOLINI: 433 NRS FERRARI: PG8, TR36, TRATTORINO GOLDONI: GM4 SAME: SAMETTO, VIGNETO VALPADANA: 412 |
| TP 1020 | SAME: SAMETTO, VIGNETO |
| TP 1030 | FIAT: 300 AGRIFULL: JOLLY 50, 68 SC GOLDONI: TRATTORINI PASQUALI: TRATTORINI LANDINI: R 3000, R 3200 NIBBI: TONSON TOSELLI: 45HP |
| TP 1040 | LANDINI: C4000, CS4000, C3500 AGRIFULL: JOLLY 50 |
| TP 1050 | FIAT: 211 PICCOLA LANDINI: C3500, C4000, CS4000 SAME: 240, MINITAURO, SIRENETTA 2 RMDT, PULEDRO TRENTO, ITALIA DT. FRUTT. |
| TP 1060 | AGRIFULL: C50 FIAT: 455C - 355C SAME: ITALIA, PULDERO, ATLANTA |
| TP 1065 | PER MACCHINE SPECIALI |
| TP 1070 | SAME: FALCON, FALCON RISAIA, MINITAURO 55, FALCON C LAMBORGHINI: C352, C352S, 1C, 4C, 5C AGRIFULL: 2300, 235CLAMBORGHINI: 10, 10TL, 5C, 1RDT, 2RDT, 4C, 5CTL, 1RTF, 1RDTS, 2RDTS |
| TP 1080 | LAMBORGHINI: 10, 10TL, 5C, 1RDT, 2RDT, 4C, 5CTL, 1RTF, 1RDTS, 2RDTS |
| TP 1085 | AGRIFULL: 345C, 355C, C60, C70 FIAT: 420, 420DT, 450/8, 450/8DT, 450,480,480DT, 500S, 500SDT, 540S, 540SDT, 480/8, 480/8DT, 505C, 605C MT: 165, 168, 148, 702 |
| TP 1090 | FIAT: 355C, 455C, 505C, 605C, 420+DT, 450, 450/8+DT, 480/+DT, 480/8+TD, 500S+TD, 540S+TD, 80/76TD AGRIFULL: C50, C60, C70, C345, C355 MF: 148, 165, 168, 702 |
| TP 1100 | FIAT: 640, 640DT, 670, 670DT, 550, 550DT |
| TP 1110 | FIAT: 850 OM: 615, 715 LANDINI: TL 21, TL 22, R6000 LAMBORGHINI: R704, 204, 7RC |
| TP 1115 | PER MACCHINE SPECIALI |
| TP 1120 | SAME: LEONE, ARIETE, SATURNO LANDINI: 80F, 6560L, 8560F CARRANO: 455, 552, 554, 602, 704 ITMA: A553, 600, 654, 700 |
| TP 1130 | DEUTZ: D6808, D7206 MF: 165, 168, 85, 240, 254, 255, 274 FIAT: 570, 570DT, 580, 580DT OM: 650, 750S DIAMANTE JHONDEERE: 1140, 1640, 2040 LANDINI: 5500 2RM, 500 DT, 6500 2RM, MARK II, 6500 DT MARK II, 6505 F, 6550 2RM, 6550 DT |
| TP 1135 | HURLIMANN: H490RM SAME: SATURNO 80S, CENTURION, LEONE 70, LEONE 75, ARIETE 85, LEOPARD 85, PANTER 90 |

| ART | MARCA E MODELLO |
|---------|---|
| TP 1140 | AGRIFULL: TORNADO 80, 85 TURBO, RODEO 90 TURBO, RODEO 95 TURBO FIAT: 850S, 850SDT, 1000S, 1000SDT, 670F, 670FDT FORDSON: MAJOR LANDINI: R6000, R7000 OM: 615 |
| TP 1150 | FIAT: 670H, 680, 780, 880, 980, 8088, 70/90, 100/90+DT LANDINI: 8000, 9880, 10000, 12500, 14500 MF: 290, 575, 590, 595, 2620, 2640, 2680 SAME: DRAGO, BUFFALO, TIGER, ROWCROP LAMBORGHINI: R654, R1056, R1256 HURLIMANN: H6130 CARRARO: 552, 554, 652, 702, 704, 732, 734, 842, 884, 78/2, 78/4, 88/2, 88/4, 98/2, 9814 RENAULT: 751, 781, 851, 891, 951, 981, 1151, 1181, 1451 |
| TP 1160 | CARRARO: 552, 554, 652, 654, 702, 704, 732, 734, 842, 844, 78/2, 78/4, 88/2, 88/4, 98/2, 98/4 HURLIMANN: H6130 4RM MF: 290DT, 575, 590, 590DT, 595MK II LANDINI: R8000, R8000DT SAME: DRAGO 120, BUFFALO 130 |
| TP 1170 | CARRARO: 78/2, 78/4, 88/2, 88/4, 98/2, 98/4 LANDINI: R8000, R8000DT MASSEY FERGUSON: 290, 575, 590, 595 SAME: DRAGO |
| TP 1180 | FIAT: 1000 SAME: ROW CROP LANDINI: LDTL29, 11 ITALIA MASSEY FERGUSON |
| TP 1190 | PER MACCHINE SPECIALI |
| TP 1200 | TRATTORI VARI OLTRE 90HP SAME: PANTER, TIGER, DRAGO, BUFFALO FIAT: 980, 1000, 1180, 90/90, 100/90 AGRIFULL: RODEO 90 TURBO, RODEO 95 TURBO LAMBORGHINI: R904, R955, 1056 |
| TP 1205 | TRATTORI VARI OLTRE 90HP |
| TP 1210 | TRATTORI VARI OLTRE 90HP LANDINI: 9005, 12500, 14500 MF: 1114, 1134 RENAULT: 891, 951, 981, 1181, 1454, 106SP, TX113 |
| TP 1215 | SAME: HERCULES 160 HURLIMANN H6160 4RM |
| TP 1220 | TRATTORI VARI OLTRE 115HP |
| TP 1225 | FIAT: 1300, 1380, 1580, 1880, 115/90DT, 130/90DT, 140/90DT, 160/90DT, 180/90DT FENDT: 612LS, 614LS, 615LS, 626LSA SAME: LASER 130, 150, GALAXY 170, TRIDENT, HERCULES LAMBORGHINI: 1306, 1506, 1706 MF: 2620, 2640, 2670, 2680 FORD: TW15, 25, 35 ZETOR: 12145, 16145 RENAULT: 1181, 1451, TX133, TX145 |
| TP 1226 | FIAT: 1300 |
| TP 1227 | FIAT: 1300 |
| TP 1229 | JOHNN DEERE |

TP

- TOP LINK
- BARRE DE POUSSE
- OBERLENKER

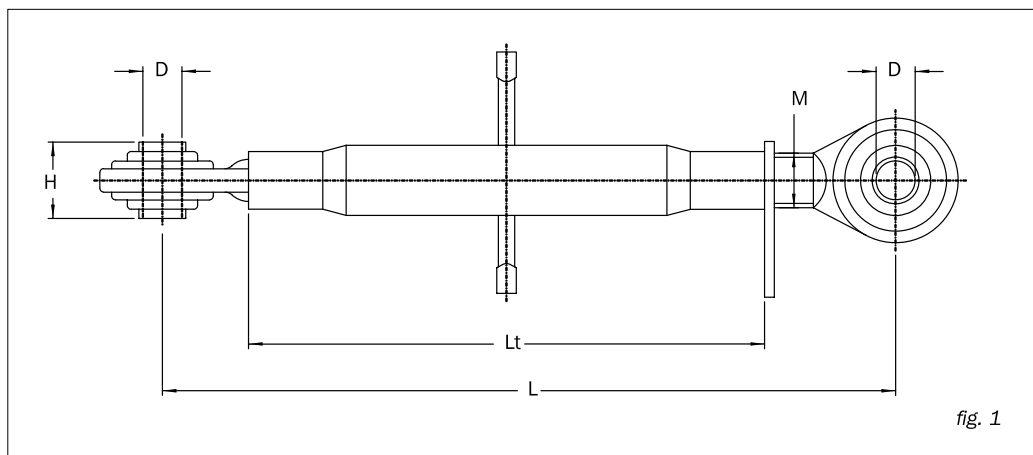
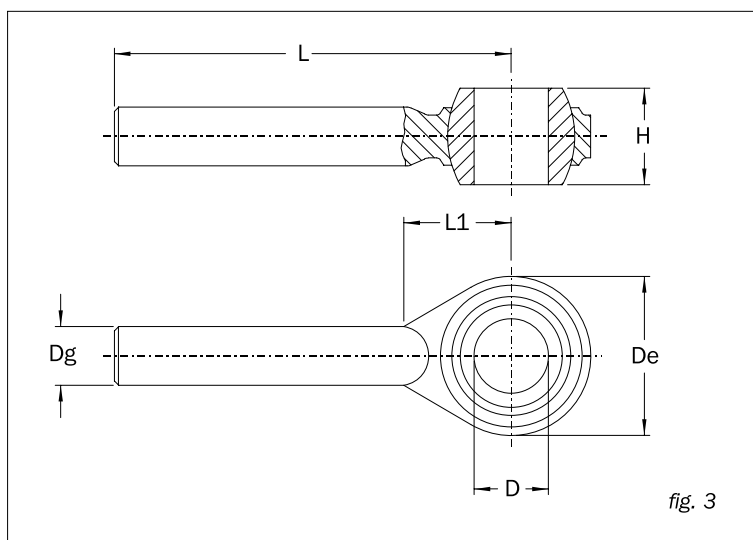


fig. 1

| art. | CAT. | D (A12) | H (h11) | M | Lt | L | | TIRANTE FILETTATO | | PESO Kg. |
|--------|------|---------|---------|---------|-----|-----|------|-------------------|----------|-------------|
| | | | | | | min | max | dx | sx | |
| TP1005 | 1 | 19 | 44 | M22x2,5 | 160 | 250 | 350 | TGF 3300 | TGF 3310 | 1,70 |
| TP1010 | 1 | 19 | 44 | M22x2,5 | 230 | 340 | 490 | | | 2,40 |
| TP1020 | 1 | 19 | 44 | M22x2,5 | 280 | 370 | 520 | | | 2,62 |
| TP1030 | 1 | 19 | 44 | M22x2,5 | 300 | 400 | 550 | | | 2,84 |
| TP1040 | 1 | 19 | 44 | M24x2,5 | 320 | 430 | 580 | TGF 3320 | TGF 3330 | 2,96 |
| TP1050 | 1 | 19 | 44 | M24x2,5 | 370 | 480 | 620 | | | 3,04 |
| TP1060 | 1 | 19 | 44 | M24x2,5 | 470 | 580 | 730 | | | 3,48 |
| TP1065 | 1 | 19 | 44 | M27x3 | 220 | 330 | 480 | TGF 3340 | TGF 3350 | 3,00 |
| TP1070 | 1 | 19 | 44 | M27x3 | 320 | 420 | 620 | | | 3,56 |
| TP1080 | 1 | 19 | 44 | M27x3 | 370 | 480 | 680 | | | 3,76 |
| TP1083 | 1 | 19 | 44 | M27x3 | 400 | 510 | 720 | | | 3,88 |
| TP1085 | 1 | 19 | 44 | M27x3 | 430 | 540 | 740 | | | 3,98 |
| TP1090 | 1 | 19 | 44 | M27x3 | 470 | 580 | 780 | | | 4,18 |
| TP1100 | 1 | 19 | 44 | M27x3 | 575 | 680 | 880 | | | 4,62 |
| TP1105 | 1/2 | 19/25,4 | 44/51 | M27x3 | 360 | 480 | 680 | TGF 3340 | TGF 3390 | 4,63 |
| TP1110 | 1/2 | 19/25,4 | 44/51 | M27x3 | 470 | 580 | 780 | | | 4,54 |
| TP1115 | 2 | 25,4 | 51 | M27x3 | 220 | 350 | 550 | TGF 3380 | TGF 3390 | 3,54 |
| TP1120 | 2 | 25,4 | 51 | M27x3 | 320 | 450 | 650 | | | 4,24 |
| TP1125 | 2 | 25,4 | 51 | M27x3 | 400 | 520 | 750 | | | 4,60 |
| TP1130 | 2 | 25,4 | 51 | M27x3 | 430 | 560 | 770 | | | 4,70 |
| TP1132 | 2 | 25,4 | 51 | M27x3 | 500 | 620 | 850 | | | 5,04 |
| TP1135 | 2 | 25,4 | 51 | M30x3 | 360 | 480 | 700 | | | TGF 4400 |
| TP1138 | 2 | 25,4 | 51 | M30x3 | 400 | 520 | 770 | 5,02 | | |
| TP1140 | 2 | 25,4 | 51 | M30x3 | 430 | 540 | 760 | 5,14 | | |
| TP1150 | 2 | 25,4 | 51 | M30x3 | 470 | 590 | 810 | 5,32 | | |
| TP1155 | 2 | 25,4 | 51 | M30x3 | 500 | 620 | 840 | 5,42 | | |
| TP1160 | 2 | 25,4 | 51 | M30x3 | 530 | 650 | 870 | 5,56 | | |
| TP1170 | 2 | 25,4 | 51 | M30x3 | 560 | 680 | 900 | 5,66 | | |
| TP1180 | 2 | 25,4 | 51 | M30x3 | 610 | 730 | 950 | 5,82 | | |
| TP1190 | 2 | 25,4 | 51 | M30x3 | 730 | 850 | 1070 | 6,38 | | |
| TP1195 | 2 | 25,4 | 51 | M36x3 | 360 | 520 | 740 | TGF 4420 | TGF 4430 | |
| TP1200 | 2 | 25,4 | 51 | M36x3 | 400 | 520 | 760 | | | 6,82 |
| TP1203 | 2 | 25,4 | 51 | M36x3 | 450 | 575 | 810 | | | 7,28 |
| TP1205 | 2 | 25,4 | 51 | M36x3 | 520 | 650 | 850 | | | 7,62 |
| TP1210 | 2 | 25,4 | 51 | M36x3 | 570 | 700 | 900 | | | 8,14 |
| TP1215 | 2 | 25,4 | 51 | M36x3 | 400 | 580 | 830 | TGF 4440 | TGF 4450 | 9,42 |
| TP1220 | 2/3 | 25,4/32 | 51/51 | M36x3 | 400 | 580 | 830 | TGF 4440 | TGF 4470 | 9,32 |
| TP1225 | 3 | 32 | 51 | M36x3 | 460 | 640 | 870 | TGF 4460 | TGF 4470 | 9,68 |
| TP1226 | 2 | 25,4 | 51 | M40x3 | 500 | 630 | 860 | TGF 4475 | TGF 4476 | 9,10 |
| TP1227 | 2 | 25,4 | 51 | M40x3 | 620 | 750 | 980 | | | 9,84 |
| TP1228 | 3 | 32 | 51 | M40x3 | 500 | 650 | 970 | TGF 4448 | TGF 4449 | 10,36 |
| TP1229 | 3 | 32 | 51 | M40x3 | 620 | 770 | 1090 | | | 11,10 |

TGG

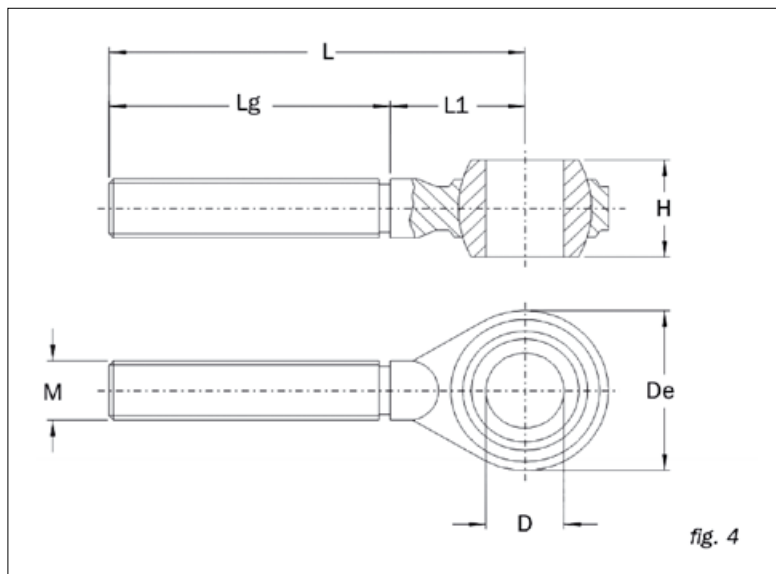
- BALL JOINT TERMINAL WITH ROUND STEM
- BORNE A ROTULE A TIGE RONDE
- ENDVERSCHLUSS DURCH KUGELGELENK MITE RUNDSTÜCK



| art. | CAT. | D (A12) | H (h11) | Dg (Ø) | L | L1 | De | PESO | IMPIEGO |
|----------|------|---------|---------|--------|-----|----|----|------|---------------------------|
| | | | | | | | | kg. | |
| TGG 3342 | 1 | 19 | 44 | 25 | 205 | 50 | 58 | 1,14 | TGF 3320 DX - TGF 3330 SX |
| TGG 3341 | 1 | 19 | 44 | 27 | 205 | 50 | 62 | 1,38 | TGF 3340 DX - TGF 3350 SX |
| TGG 3394 | 2 | 25,4 | 51 | 28 | 220 | 55 | 75 | 1,64 | TGF 3380 DX - TGF 3390 SX |
| TGG 3395 | 2 | 25,4 | 51 | 30 | 220 | 55 | 75 | 1,76 | TGF 4400 DX - TGF 4410 SX |
| TGG 3425 | 2 | 25,4 | 51 | 36 | 220 | 60 | 80 | 2,32 | TGF 4420 DX - TGF 4430 SX |
| TGG 3445 | 2 | 25,4 | 51 | 37 | 270 | 70 | 96 | 3,80 | TGF 4440 DX - TGF 4450 SX |
| TGG 3455 | 3 | 32 | 51 | 37 | 270 | 70 | 96 | 3,70 | TGF 4460 DX - TGF 4470 SX |

TGG

- END ASSEMBLIES
- ROTULE A TIGE FILETE
- GEWINDESPINDEL MIT GELENKKUGEL



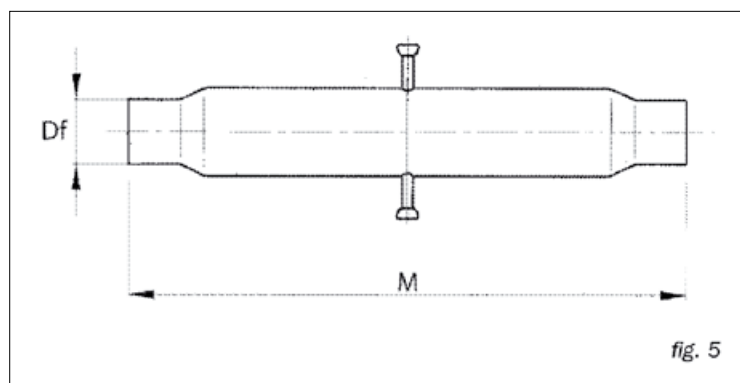
ACCOPIAMENTO ACCIAIO SU ACCIAIO CORPO IN ACCIAIO C40

| art. | CAT. | D (A12) | H (h11) | M | L | Lg | L1 | De | PESO |
|-------------|------|---------|---------|---------|-----|-----|----|----|------|
| | | | | | | | | | Kg. |
| TGG 3300 DX | 1 | 19 | 44 | M22x2,5 | 165 | 130 | 35 | 52 | 0,71 |
| TGG 3310 SX | 1 | 19 | 44 | M22x2,5 | 165 | 130 | 35 | 52 | 0,71 |
| TGG 3320 DX | 1 | 19 | 44 | M24x2,5 | 165 | 115 | 50 | 58 | 0,82 |
| TGG 3330 SX | 1 | 19 | 44 | M24x2,5 | 165 | 115 | 50 | 58 | 0,82 |
| TGG 3340 DX | 1 | 19 | 44 | M27x3 | 205 | 155 | 50 | 62 | 1,08 |
| TGG 3350 SX | 1 | 19 | 44 | M27x3 | 205 | 155 | 50 | 62 | 1,08 |
| TGG 3380 DX | 2 | 25,4 | 51 | M27x3 | 220 | 165 | 55 | 75 | 1,44 |
| TGG 3390 SX | 2 | 25,4 | 51 | M27x3 | 220 | 165 | 55 | 75 | 1,44 |
| TGG 4400 DX | 2 | 25,4 | 51 | M30x3 | 220 | 165 | 55 | 75 | 1,62 |
| TGG 4410 SX | 2 | 25,4 | 51 | M30x3 | 220 | 165 | 55 | 75 | 1,62 |
| TGG 4420 DX | 2 | 25,4 | 51 | M36x3 | 220 | 165 | 55 | 80 | 2,14 |
| TGG 4430 SX | 2 | 25,4 | 51 | M36x3 | 220 | 165 | 55 | 80 | 2,14 |
| TGG 4440 DX | 2 | 25,4 | 51 | M36x3 | 270 | 200 | 70 | 96 | 3,34 |
| TGG 4450 SX | 2 | 25,4 | 51 | M36x3 | 270 | 200 | 70 | 96 | 3,34 |
| TGG 4460 DX | 3 | 32 | 51 | M36x3 | 270 | 200 | 70 | 96 | 3,34 |
| TGG 4470 SX | 3 | 32 | 51 | M36x3 | 270 | 200 | 70 | 96 | 3,34 |

MTP

- 3rd PIONT TUBE
- TUBE POUR 3ème POINT
- OBERLENKERHÜLSEN

| RT | M | Df | PESO |
|---------|-----|---------|------|
| | | | Kg. |
| MTP 005 | 160 | M22x2,5 | 0,75 |
| MTP 010 | 230 | M22x2,5 | 0,90 |
| MTP 020 | 280 | M22x2,5 | 1,10 |
| MTP 030 | 300 | M22x2,5 | 1,32 |
| MTP 035 | 260 | M24x2,5 | 1,15 |
| MTP 040 | 320 | M24x2,5 | 1,22 |
| MTP 050 | 370 | M24x2,5 | 1,30 |
| MTP 060 | 470 | M24x2,5 | 1,74 |
| MTP 065 | 220 | M27x3 | 0,92 |
| MTP 070 | 320 | M27x3 | 1,26 |
| MTP 080 | 370 | M27x3 | 1,50 |
| MTP 083 | 400 | M27x3 | 1,60 |
| MTP 085 | 430 | M27x3 | 1,68 |
| MTP 090 | 470 | M27x3 | 1,90 |
| MTP 131 | 500 | M27x3 | 2,02 |
| MTP 100 | 575 | M27x3 | 2,36 |
| MTP 135 | 360 | M30x3 | 1,54 |
| MTP 138 | 400 | M30x3 | 1,70 |
| MTP 140 | 430 | M30x3 | 1,82 |
| MTP 150 | 470 | M30x3 | 2,00 |
| MTP 155 | 500 | M30x3 | 2,10 |
| MTP 160 | 530 | M30x3 | 2,24 |
| MTP 170 | 560 | M30x3 | 2,34 |
| MTP 180 | 610 | M30x3 | 2,50 |
| MTP 190 | 730 | M30x3 | 3,06 |
| MTP 200 | 400 | M36x3 | 2,28 |
| MTP 203 | 450 | M36x3 | 2,70 |
| MTP 225 | 460 | M36x3 | 2,74 |
| MTP 205 | 520 | M36x3 | 3,08 |
| MTP 210 | 570 | M36x3 | 3,60 |
| MTP 226 | 500 | M40x3 | 3,28 |
| MTP 227 | 620 | M40x3 | 4,02 |

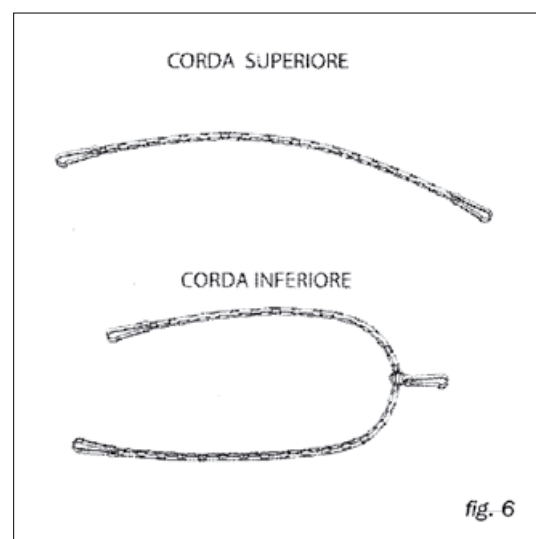


corda di comando per gancio superiore e inferiore

CSG

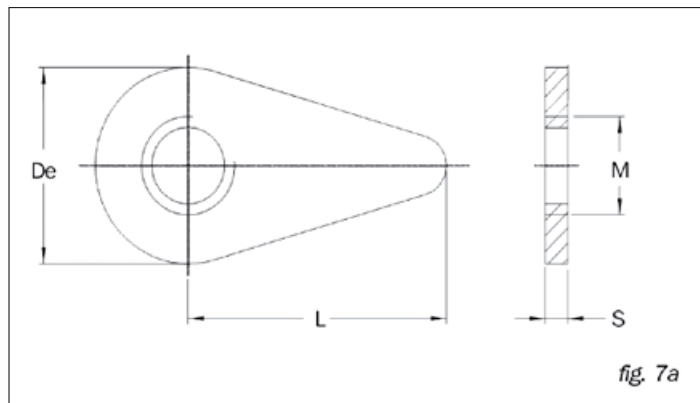
- CONTROL WIRE FOR UPPER AND LOWER AUTOMATIC HITCH
- CHAÎNE DE REGLAGE POUR CROCHET AUTOMATIQUE SUPERIEUR ET INFÉRIEUR
- STEUERSEIL FÜR OBER-UND UNTERLENKERFANGHAKEN

| art. | LUNGHEZZA TOTALE |
|---------|--------------------------------|
| | mm. |
| CSG 997 | CORDA SUPERIORE LUNGHEZZA 1500 |
| CIG 996 | CORDA INFERIORE LUNGHEZZA 4400 |



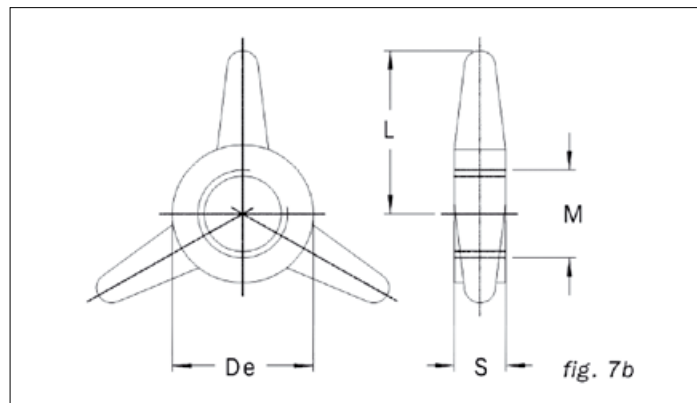
CDP

- TOPLINK LOCK NUT
- COLLIERS DE BLOCAGE POUR BARRES DE POUSSE
- OBERLENKERGEGENMUTTER



| art. | MOD. | M | De | L | S | PESO Kg. |
|----------------|---------|---------|----|----|----|-------------|
| CDP 222 | PIASTRA | M22x2,5 | 42 | 60 | 6 | 0,10 |
| CDP 224 | | M24x2,5 | 42 | 60 | 6 | 0,10 |
| CDP 221 | | M24x3 | 42 | 60 | 6 | 0,10 |
| CDP 225 | | M27x3 | 42 | 60 | 6 | 0,09 |
| CDP 226 | | M30x3 | 42 | 60 | 6 | 0,08 |
| CDP 229 | | M30x3,5 | 42 | 60 | 6 | 0,08 |
| CDP 227 | | M36x3 | 60 | 88 | 10 | 0,26 |
| CDP 228 | | M40x3 | 60 | 88 | 10 | 0,24 |

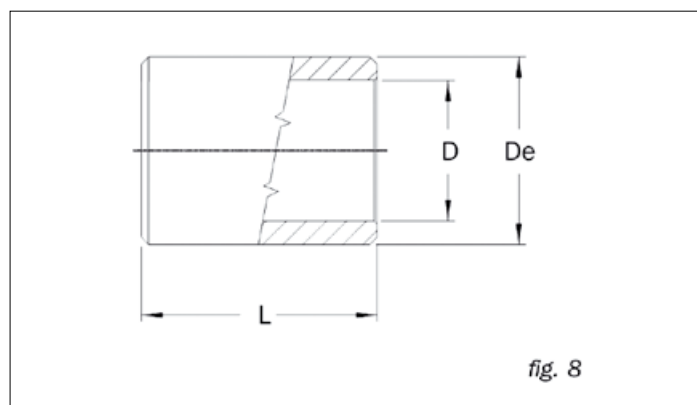
CDS



| art. | MOD. | M | De | L | S | PESO. Kg. |
|----------------|--------|---------|----|----|----|--------------|
| CDS 229 | STELLA | M22x2,5 | 34 | 25 | 12 | 0,06 |
| CDS 230 | | M24x2,5 | 34 | 25 | 12 | 0,06 |
| CDS 236 | | M24x3 | 34 | 25 | 12 | 0,06 |
| CDS 231 | | M27x3 | 40 | 40 | 18 | 0,15 |
| CDS 232 | | M30x3 | 40 | 40 | 18 | 0,14 |
| CDS 235 | | M30x3,5 | 40 | 40 | 18 | 0,14 |
| CDS 233 | | M36x3 | 48 | 50 | 23 | 0,17 |
| CDS 234 | | M40x3 | 54 | 50 | 28 | 0,16 |

BUS

- CONVERSION BUSHES
- BAGUES DE REDUCTION
- REDUZIERHULSEN

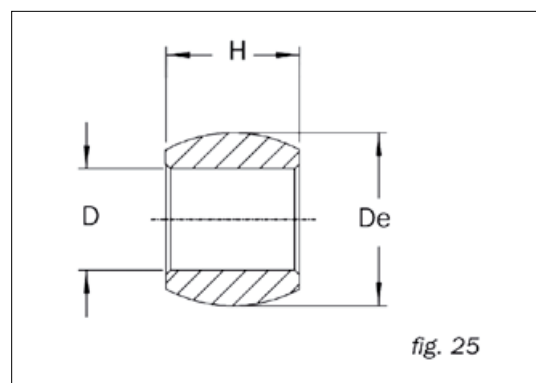


| art. | CAT. | De | D | L | IMPIEGO | PESO Kg. |
|-----------------|------|------|------|----|------------------------|-------------|
| BUS 2225 | 3/2 | 37,4 | 28,4 | 44 | BRACCI DI SOLLEVAMENTO | 0,13 |
| BUS 2230 | 2/1 | 28,4 | 22,4 | 44 | INFERIORI | 0,08 |
| BUS 2240 | 2/1 | 25,4 | 19,4 | 51 | 3° PUNTO | 0,08 |
| BUS 2245 | 3/2 | 32 | 25,4 | 51 | 3° PUNTO | 0,12 |

ROT

- BALLS
- ROTULES SPHERIQUES
- KUGELN

| art. | CAT. | D (A12) | De | H (-0,2) | IMPIEGO | PESO |
|----------|------|---------|----|----------|----------|------|
| | | | | | | Kg. |
| ROT 6681 | 1 | 22,1 | 56 | 35 | SUP 4680 | 0,48 |
| ROT 6682 | - | 25,4 | 56 | 45 | SUP 4685 | 0,48 |
| ROT 6691 | 2 | 28,4 | 56 | 35 | SUP 4690 | 0,40 |
| ROT 6692 | - | 25,4 | 56 | 35 | SUP 4670 | 0,44 |

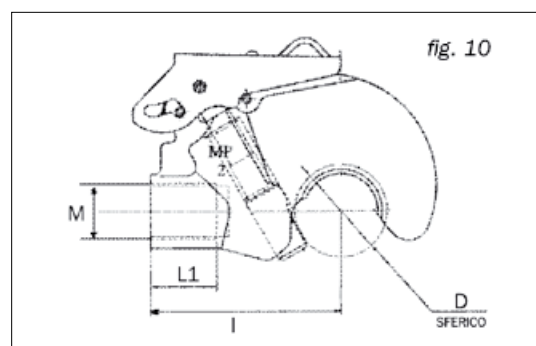


gancio superiore "rapid" a saldare cat. 2/3 per cilindri idraulici

GRR

- WEND ON TOP LINK AUTOMATIC HITCH
- CROCHET AUTOMATIQUE 3éme POINT SOUDER
- OBERLENKERHAKEN ZUM ANSCWEISSEN

| art. | CAT. | D | M | L1 | I | PESO |
|-----------|------|----|-----------|----|-----|------|
| | | | | | | Kg. |
| GRR 975 | 2 | 50 | FORO D.12 | 15 | 102 | 2,02 |
| GRR 976 | 2 | 50 | M20x1,5 | 25 | 102 | 1,96 |
| GRR 974 | 2 | 50 | M27x2 | 35 | 102 | 2,10 |
| GRR 969 | 2 | 50 | M30x2 | 35 | 102 | 2,30 |
| **GRR 970 | 3/2 | 60 | M36x2 | 43 | 132 | 4,04 |

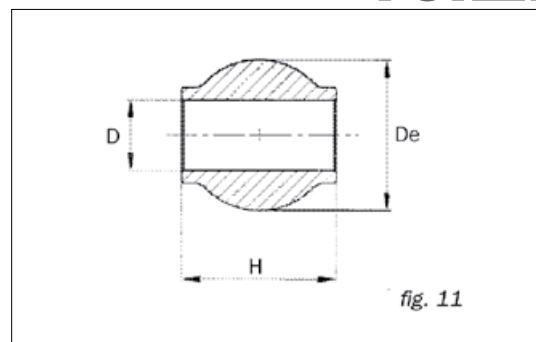


rotule per gancio superiore

ROT

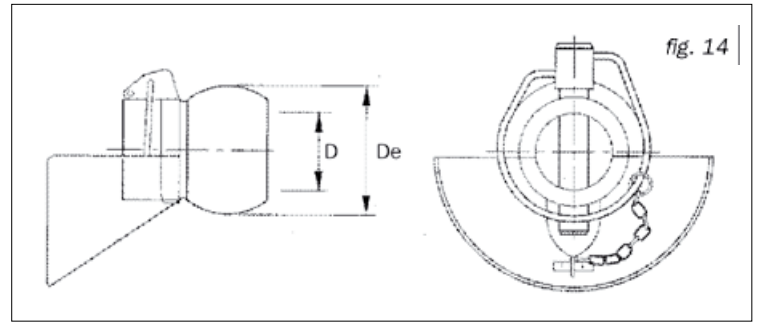
- BALLS FOR UPPER AUTOMATIC HITCH
- ROTULES PUOR CROCHET AUTOMATIQUE SUPERIEUR
- KUGEL FÜR OBERLENKERFANGHAKEN

| art. | CAT. | D (A12) | De | H | PESO |
|----------|------|---------|----|----|------|
| | | | | | Kg. |
| ROT 6989 | 1 | 19 | 50 | 51 | 0,42 |
| ROT 6985 | 2 | 25,4 | 50 | 51 | 0,34 |
| ROT 6987 | 3/2 | 25,4 | 60 | 51 | 0,64 |
| ROT 6988 | 3 | 32 | 60 | 51 | 0,54 |



CR

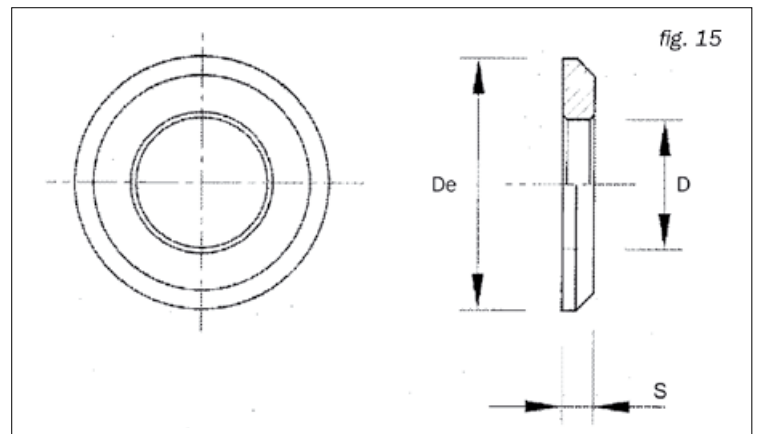
- GUIDANCE CONES WITH BALLS AND TRIP SPIN PIN
- CONES D'ENTRAINEMENT AVEC ROTULE ET GOUPILLE DE DETENTE
- KUGEL MIT KONISCHEM PROFIL UND KLAPPSPLINT



| art. | CAT. | D (A12) | De | PESO | |
|--------|------|---------|----|------|--|
| | | | | Kg. | |
| CR 990 | 2 | 28,4 | 56 | 0,92 | |
| CR 991 | 3/2 | 28,4 | 64 | 1,18 | |
| CR 992 | 3 | 37 | 64 | 0,96 | |

DPR

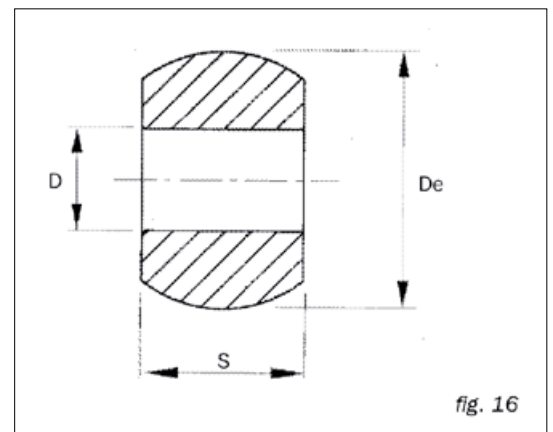
- SPACING FOR BALLS WITHOUT CONES
- ENTRETOISE POUR ROTULES SANS CONES
- DISTANZSCHEIBEN FÜR KUGELN OHNE KONISCHEM PROFIL



| art. | CAT. | D (A12) | De | S | PESO | |
|---------|------|---------|----|---|------|--|
| | | | | | Kg. | |
| DPR 955 | 2 | 28,4 | 56 | 7 | 0,10 | |
| DPR 956 | 3/2 | 28,4 | 64 | 7 | 0,13 | |
| DPR 957 | 3 | 37 | 64 | 7 | 0,10 | |

ROT

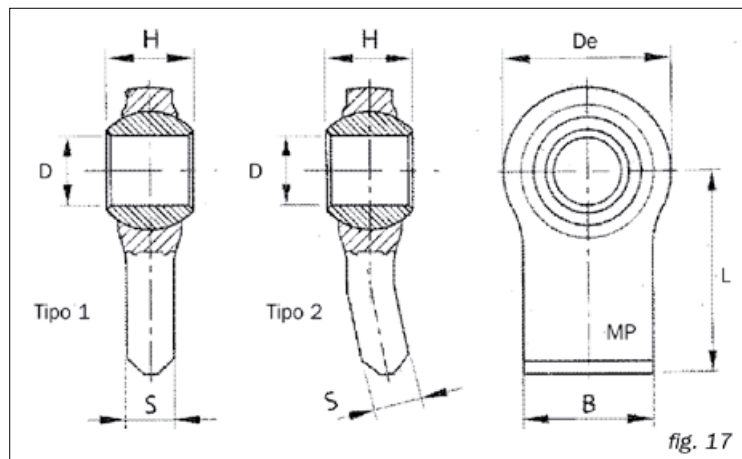
- BALLS WITHOUT GUIDANCE CONES FOR LOWER HITCH POINT
- ROTULES SANS CONES D'ENTRAINEMENT POUR CROQUET AUTOMATIQUE INFÉRIEUR
- KUGELN OHNE FANGSCHALE FÜR UNTERLENKERFANGHAKEN



| art. | CAT. | D (A12) | De | S (H11) | PESO | |
|---------|------|---------|----|---------|------|--|
| | | | | | Kg. | |
| ROT 993 | 2 | 28,4 | 56 | 45 | 0,44 | |
| ROT 994 | 3/2 | 28,4 | 64 | 45 | 0,72 | |
| ROT 995 | 3 | 38 | 64 | 45 | 0,56 | |
| ROT 996 | 3 | 37 | 64 | 45 | 0,56 | |

SUP

- BALL JOINT TERMINAL WITH RECTANGULAR END
- BORN A ROTULE A EXTREMITÉ RECTANGULAIRE
- ENDVERSCHLUSS DURCH KUGELGELENK MIT RECHTWINKLINGER ENDUNG



ACCOPIAMENTO ACCIAIO SU ACCIAIO
CORPO IN ACCIAIO C.40 UNI EN 10083-1

| art. | CAT. | D (A12) | H (h11) | B | S | De | L | TIPO | PESO |
|----------|------|-------------|---------|----|----|-----|-----|------|------|
| | | | | | | | | | Kg. |
| SUP 4490 | - | 14 | 32 | 30 | 11 | 46 | 60 | 1 | 0,30 |
| SUP 4495 | - | 16 | 20 | 30 | 11 | 46 | 60 | 1 | 0,27 |
| SUP 4496 | - | 19 | 44 | 50 | 17 | 50 | 50 | 1 | 0,46 |
| SUP 4494 | - | 18 | 35 | 50 | 15 | 65 | 43 | 1 | 0,58 |
| SUP 4497 | - | 19 | 35 | 50 | 15 | 65 | 43 | 1 | 0,56 |
| SUP 4498 | 1 | 22,1 | 35 | 50 | 15 | 65 | 43 | 1 | 0,54 |
| SUP 4501 | 1 | 22,1 | 35 | 50 | 15 | 68 | 90 | 1 | 0,90 |
| SUP 4503 | 1 | 22,1 | 35 | 55 | 15 | 66 | 70 | 1 | 0,70 |
| SUP 4506 | - | 25,4 | 38 | 70 | 18 | 78 | 80 | 1 | 1,14 |
| SUP 4507 | 2 | 28,4 | 38 | 70 | 18 | 78 | 80 | 1 | 1,10 |
| SUP 4508 | 1 | 22,1 | 35 | 60 | 15 | 68 | 90 | 2 | 0,98 |
| SUP 4510 | 1 | 22,1 | 35 | 70 | 18 | 76 | 50 | 1 | 0,82 |
| SUP 4515 | - | 25,4 | 35 | 70 | 18 | 76 | 50 | 1 | 0,78 |
| SUP 4520 | - | 26 | 35 | 70 | 18 | 76 | 50 | 1 | 0,79 |
| SUP 4530 | 2 | 28,4 | 35 | 70 | 18 | 76 | 50 | 1 | 0,76 |
| SUP 4540 | 1 | 22,1 | 35 | 70 | 18 | 83 | 55 | 1 | 1,18 |
| SUP 4550 | - | 25,4 | 35 | 70 | 18 | 83 | 55 | 1 | 1,16 |
| SUP 4560 | 2 | 28,4 | 35 | 70 | 18 | 83 | 55 | 1 | 1,12 |
| SUP 4562 | 2 | 28,4 | 45 | 70 | 18 | 83 | 55 | 1 | 1,16 |
| SUP 4566 | - | 25,4 | 38 | 70 | 23 | 80 | 80 | 1 | 1,56 |
| SUP 4568 | 2 | 28,4 | 38 | 70 | 23 | 80 | 80 | 1 | 1,52 |
| SUP 4575 | 2 | 28,4 | 45 | 70 | 23 | 80 | 80 | 1 | 1,54 |
| SUP 4569 | - | 25,4 | 45 | 70 | 22 | 80 | 65 | 1 | 1,36 |
| SUP 4570 | 2 | 28,4 | 45 | 70 | 22 | 80 | 65 | 1 | 1,32 |
| SUP 4590 | 1/2 | 22,1 / 28,4 | 45 | 70 | 22 | 80 | 65 | 1 | 1,22 |
| SUP 4579 | 2 | 28,4 | 45 | 76 | 17 | 90 | 82 | 1 | 1,48 |
| SUP 4585 | 2 | 28,4 | 45 | 70 | 21 | 83 | 110 | 2 | 1,84 |
| SUP 4580 | 2 | 28,4 | 45 | 70 | 22 | 96 | 65 | 1 | 1,70 |
| SUP 4597 | - | 32 | 45 | 70 | 22 | 96 | 65 | 1 | 1,66 |
| SUP 4600 | - | 34 | 45 | 70 | 22 | 96 | 65 | 1 | 1,62 |
| SUP 4602 | - | 35 | 45 | 70 | 22 | 96 | 65 | 1 | 1,60 |
| SUP 4604 | 3 | 37 | 45 | 70 | 22 | 96 | 65 | 1 | 1,56 |
| SUP 4610 | - | 38 | 45 | 80 | 24 | 108 | 65 | 1 | 1,96 |
| SUP 4612 | - | 34 | 45 | 80 | 24 | 108 | 65 | 1 | 2,04 |
| SUP 4614 | 3 | 37 | 45 | 80 | 24 | 108 | 65 | 1 | 1,98 |
| SUP 4615 | 2 | 28,4 | 45 | 80 | 24 | 108 | 65 | 1 | 2,16 |
| SUP 4616 | - | 35 | 45 | 80 | 24 | 108 | 65 | 1 | 2,00 |
| SUP 4617 | - | 42 | 45 | 80 | 24 | 108 | 65 | 1 | 1,88 |

supporto a snodo sferico per bracci inferiori - fianchi inclinati

SUP

- WELD ON BALL ENDS
- ROTULE A SOUDER, PALTES, COTES INCLINES
- ANSCHWEISSENDE

ACCOPIAMENTO ACCIAIO SU ACCIAIO
CORPO IN ACCIAIO C.40 UNI EN 10083-1

| art. | CAT. | D (A12) | H (h11) | B | S | De | L | PESO Kg. |
|----------|------|-------------|---------|----|----|----|----|-------------|
| SUP 4499 | - | 19 | 35 | 60 | 18 | 67 | 50 | 0,74 |
| SUP 4500 | 1 | 22,1 | 35 | 60 | 18 | 67 | 50 | 0,72 |
| SUP 4505 | 1 | 22,1 | 35 | 58 | 18 | 67 | 75 | 0,94 |
| SUP 4576 | 2 | 28,4 | 45 | 70 | 18 | 85 | 80 | 1,44 |
| SUP 4577 | 1/2 | 22,1 / 28,4 | 45 | 70 | 18 | 85 | 80 | 1,34 |
| SUP 4578 | 2 | 28,4 | 35 | 70 | 18 | 85 | 80 | 1,40 |

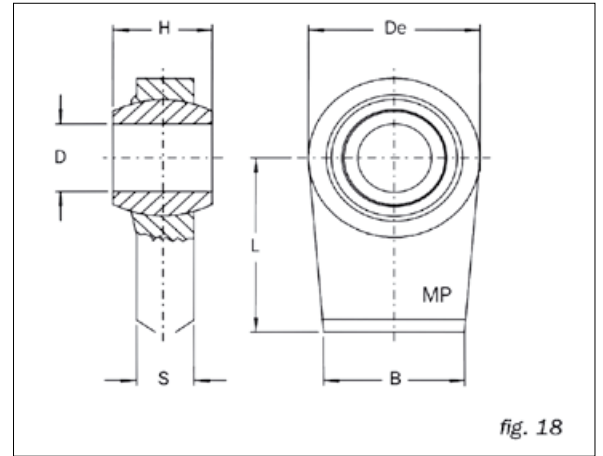


fig. 18

supporto a snodo sferico per bracci inferiori - piatto piegato tipo fiat 1000-1300

SUP

- LINK BALL ENDS FIAT TYPE 1000-1300
- ROTULE A SOUDER, POUR BRAS INFERIEURS FIAT TYPE 1000-1300
- ANSCHWEISSENDEN FÜR FIAT SCHLEPPER 1000-1300

ACCOPIAMENTO ACCIAIO SU ACCIAIO
CORPO IN ACCIAIO C.40 UNI EN 10083-1

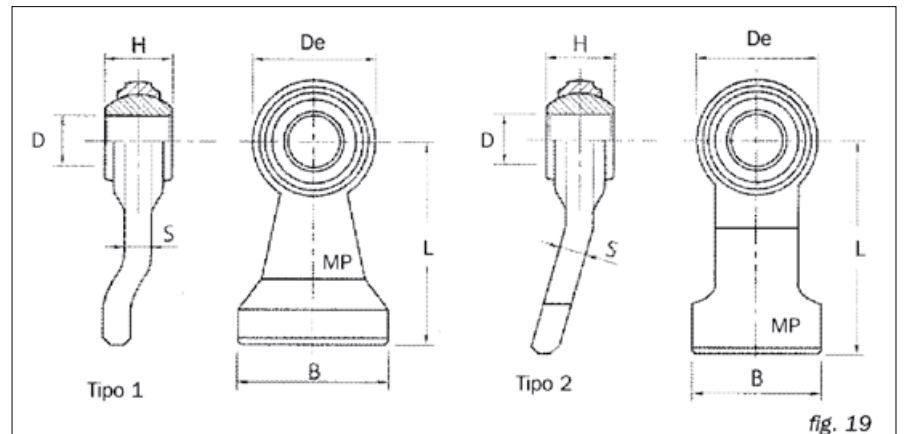


fig. 19

| art. | CAT. | D (A12) | H (h11) | B | S | De | L | TIPO | RIF. ORIG. FIAT | PESO. Kg. |
|----------|------|---------|---------|-----|----|-----|-----|------|-----------------|--------------|
| SUP 4620 | 2 | 28,4 | 45 | 100 | 21 | 80 | 130 | 2 | 01930293 | 2,24 |
| SUP 4621 | 2 | 28,4 | 45 | 100 | 32 | 100 | 130 | 1 | - | 3,52 |
| SUP 4622 | - | 35 | 45 | 100 | 32 | 100 | 130 | 1 | 4997106 | 3,38 |
| SUP 4624 | 3 | 37 | 45 | 100 | 32 | 100 | 130 | 1 | - | 3,34 |

supporto a snodo sferico smontabile tipo fiat

SUP

- BALL ENDS FIAT TYPE
- ROTULE A SOUDER FIAT
- ANSCHWEISSENDEN TYP FIAT

ACCOPIAMENTO ACCIAIO SU ACCIAIO
CORPO IN ACCIAIO C.40 UNI EN 10083-1

| art. | CAT. | D (A12) | H (h11) | L | PESO Kg. |
|----------|------|---------|---------|----|-------------|
| SUP 4680 | 1 | 22,1 | 35 | 55 | 1,40 |
| SUP 4670 | - | 25,4 | 35 | 55 | 1,36 |
| SUP 4689 | 2 | 28,4 | 45 | 55 | 1,32 |
| SUP 4685 | - | 25,4 | 45 | 55 | 1,40 |
| SUP 4690 | 2 | 28,4 | 35 | 55 | 1,36 |

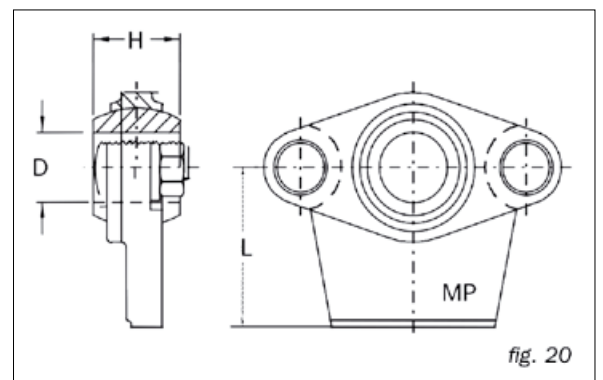
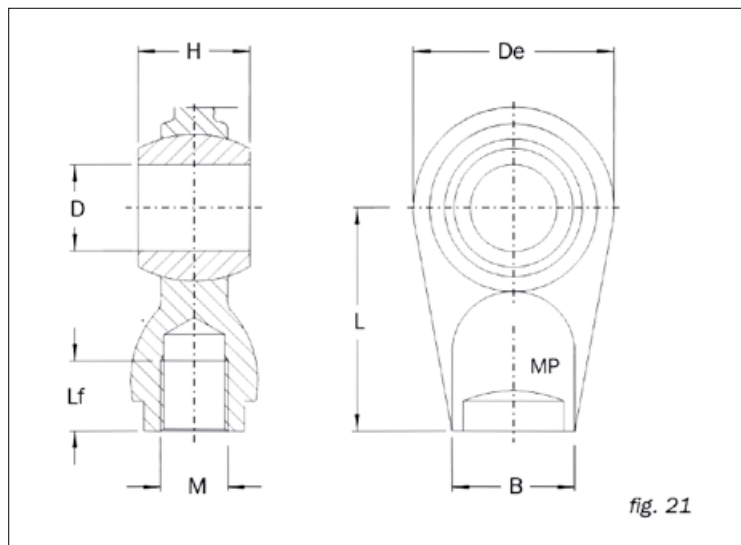


fig. 20

SUP

- BALL JOINT TERMINAL WITH ROUND END TO BE WELDED OR WITH INNER THREAD
- BORNE A ROTULE A EXTREMITÉ RONDE A SOUDER OU BIEN AVEC FILET A L'INTERIEUR
- ENDVERSCHLUSSE DURCH KUGELGELENK MIT RUNDENDUNG ZUM SCHWEISSEN ODER MIT INNENGEWINDE



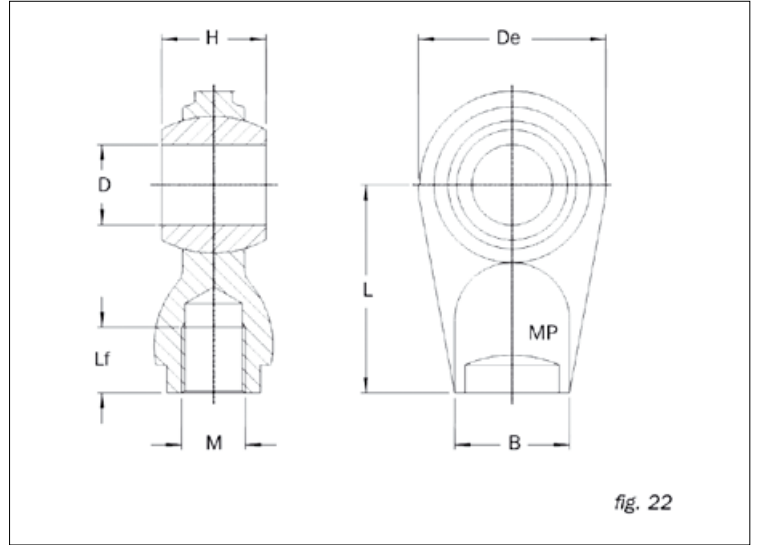
ACCOPIAMENTO ACCIAIO SU ACCIAIO
CORPO IN ACCIAIO C.40 UNI EN 10083-1

| art. | CAT. | D (A12) | H (h11) | B (Ø) | De | L | M | Lf | NOTE | PESO |
|----------|------|---------|---------|-------|----|----|-------|----|---------------|------|
| | | | | | | | | | | Kg. |
| SUP 6693 | - | 14 | 44 | 25 | 55 | 50 | - | - | BASE SPIANATA | 0,46 |
| SUP 6694 | 1 | 19 | 30 | 25 | 55 | 50 | - | - | | 0,40 |
| SUP 6695 | 1 | 19 | 44 | 25 | 55 | 50 | - | - | | 0,42 |
| SUP 6696 | - | 20 | 44 | 25 | 55 | 50 | - | - | | 0,41 |
| SUP 6700 | 1 | 19 | 44 | 30x14 | 62 | 34 | - | - | BASE SPIANATA | 0,44 |
| SUP 6702 | - | 20 | 44 | 30x14 | 62 | 34 | - | - | | 0,43 |
| SUP 6704 | - | 22,1 | 44 | 30x14 | 62 | 34 | - | - | | 0,42 |
| SUP 6707 | - | 22,1 | 44 | 34 | 62 | 58 | - | - | BASE SPIANATA | 0,58 |
| SUP 6708 | 1 | 19 | 44 | 34 | 62 | 58 | - | - | | 0,60 |
| SUP 6709 | - | 20 | 44 | 34 | 62 | 58 | - | - | | 0,59 |
| SUP 6710 | 1 | 19 | 44 | 34 | 62 | 60 | - | - | BASE SPIANATA | 0,62 |
| SUP 6712 | - | 22,1 | 44 | 34 | 62 | 60 | - | - | | 0,60 |
| SUP 6720 | - | 20 | 44 | 34 | 62 | 60 | - | - | | 0,61 |
| SUP 6724 | 1 | 19 | 35 | 26 | 62 | 50 | - | - | BASE SPIANATA | 0,54 |
| SUP 6725 | - | 22,1 | 35 | 26 | 62 | 50 | - | - | | 0,52 |
| SUP 6730 | - | 22,1 | 51 | 38 | 75 | 65 | - | - | BASE SPIANATA | 0,98 |
| SUP 6735 | 2 | 25,4 | 40 | 38 | 75 | 65 | - | - | | 0,90 |
| SUP 6737 | 1 | 19 | 51 | 38 | 75 | 65 | - | - | | 1,02 |
| SUP 6739 | - | 30 | 51 | 38 | 75 | 65 | - | - | | 0,88 |
| SUP 6740 | 2 | 25,4 | 51 | 38 | 75 | 65 | - | - | | 0,94 |
| SUP 6741 | 2 | 25,4 | 51 | 30 | 75 | 70 | - | - | BASE SPIANATA | 0,90 |
| SUP 6742 | 2 | 25,4 | 51 | 45 | 70 | 70 | - | - | BASE SPIANATA | 1,14 |
| SUP 6744 | 1 | 19 | 51 | 45 | 70 | 70 | - | - | | 1,22 |
| SUP 6746 | - | 22,1 | 51 | 45 | 70 | 70 | - | - | | 1,18 |
| SUP 6748 | - | 30 | 51 | 45 | 70 | 70 | - | - | | 1,08 |
| SUP 6750 | 2 | 25,4 | 51 | 50 | 83 | 65 | - | - | BASE SPIANATA | 1,60 |
| SUP 6756 | - | 22,1 | 51 | 50 | 85 | 70 | - | - | BASE SPIANATA | 1,64 |
| SUP 6759 | 1 | 19 | 51 | 50 | 85 | 70 | - | - | | 1,68 |
| SUP 6760 | 2 | 25,4 | 51 | 50 | 85 | 70 | - | - | | 1,62 |
| SUP 6768 | - | 22,1 | 51 | 50 | 85 | 70 | M27x2 | 27 | | 1,50 |
| SUP 6769 | 1 | 19 | 51 | 50 | 85 | 70 | M27x2 | 27 | | 1,54 |
| SUP 6770 | 2 | 25,4 | 51 | 50 | 85 | 70 | M27x2 | 27 | | 1,46 |
| SUP 6780 | - | 30 | 51 | 50 | 85 | 70 | - | - | | 1,56 |
| SUP 6790 | - | 30 | 51 | 50 | 85 | 70 | M27x2 | 27 | | 1,40 |

- A RICHIESTA FORO (D) RETTIFICATO - RECTIFIED HOLE ON REQUEST - TROU RECTIFIE SUR DEMANDE

SUP

- BALL JOINT TERMINAL WITH ROUND END TO BE WELDED OR WITH INNER THREAD
- BORNE A ROTULE A EXTREMITÉ RONDE A SOUDER OU BIEN AVEC FILET A L'INTERIEUR
- ENDVERSCHLUSSE DURCH KUGELGELENK MIT RUNDENDUNG ZUM SCHWEISSEN ODER MIT INNENGEWINDE



ACCOPIAMENTO ACCIAIO SU ACCIAIO
CORPO IN ACCIAIO C.40 UNI EN 10083-1

| art. | CAT. | D (A12) | H (h11) | B (Ø) | De | L | M | Lf | NOTE | PESO |
|----------|------|---------|---------|-------|-----|----|-------|----|---------------|---------------|
| | | | | | | | | | | Kg. |
| SUP 7791 | 2 | 25,4 | 51 | 40 | 90 | 85 | - | - | BASE SPIANATA | 1,68 |
| SUP 7792 | - | 30 | 51 | 40 | 90 | 85 | - | - | | 1,64 |
| SUP 7793 | 3 | 32 | 51 | 40 | 90 | 85 | - | - | | 1,58 |
| SUP 7794 | 3 | 32 | 51 | 40 | 90 | 85 | M27x2 | 27 | | 1,44 |
| SUP 7795 | - | 35 | 55 | 40 | 90 | 85 | - | - | | 1,52 |
| SUP 7796 | 1/2 | 19/25,4 | 45x45 | 40 | 90 | 85 | - | - | | 1,56 |
| SUP 7800 | - | 29 | 55 | 50 | 83 | 65 | - | - | BASE SPIANATA | 1,38 |
| SUP 7805 | - | 30 | 42 | 50 | 83 | 65 | - | - | | 1,30 |
| SUP 7807 | 3 | 32 | 51 | 50 | 83 | 65 | - | - | | 1,30 |
| SUP 7810 | - | 30 | 55 | 50 | 83 | 65 | - | - | | 1,36 |
| SUP 7812 | - | 35 | 35 | 50 | 83 | 65 | - | - | | 1,20 |
| SUP 7815 | - | 35 | 55 | 50 | 83 | 65 | - | - | | 1,24 |
| SUP 7816 | - | 29 | 55 | 50 | 92 | 65 | - | - | BASE SPIANATA | 1,60 |
| SUP 7817 | - | 30 | 55 | 50 | 92 | 65 | - | - | | 1,58 |
| SUP 7818 | - | 30 | 42 | 50 | 92 | 65 | - | - | | 1,52 |
| SUP 7825 | 3 | 32 | 51 | 50 | 92 | 65 | - | - | | 1,54 |
| SUP 7819 | - | 35 | 35 | 50 | 92 | 65 | - | - | | 1,42 |
| SUP 7821 | - | 40 | 75 | 58 | 108 | 60 | - | - | | BASE SPIANATA |
| SUP 7841 | - | 45 | 75 | 58 | 108 | 60 | - | - | 2,56 | |
| SUP 7861 | - | 50 | 75 | 58 | 108 | 60 | - | - | 2,36 | |
| SUP 7820 | - | 40 | 75 | 60 | 108 | 85 | - | - | BASE SPIANATA | 3,42 |
| SUP 7830 | - | 40 | 75 | 60 | 108 | 85 | M38x2 | 28 | | 3,10 |
| SUP 7840 | - | 45 | 75 | 60 | 108 | 85 | - | - | | 3,22 |
| SUP 7850 | - | 45 | 75 | 60 | 108 | 85 | M38x2 | 28 | | 2,90 |
| SUP 7860 | - | 50 | 75 | 60 | 108 | 85 | - | - | | 3,02 |
| SUP 7870 | - | 50 | 75 | 60 | 108 | 85 | M38x2 | 28 | | 2,70 |

| art. | CAT. | D (A12) | H (h11) | B (Ø) | De | L | M | Lf | NOTE | PESO |
|------------------|------|---------|---------|-------|-----|----|-------|----|---------------|------|
| | | | | | | | | | | Kg. |
| SUP 7871 (*) (■) | - | 40 | 75 | 65 | 128 | 85 | - | - | BASE SPIANATA | 6,38 |
| SUP 7872 (*) (■) | - | 45 | 75 | 65 | 128 | 85 | - | - | | 6,18 |
| SUP 7873 (*) (■) | - | 50 | 75 | 65 | 128 | 85 | - | - | | 5,98 |
| SUP 7874 (*) (■) | - | 40 | 75 | 65 | 128 | 85 | M38x2 | 28 | | 6,16 |
| SUP 7875 (*) (■) | - | 45 | 75 | 65 | 128 | 85 | M38x2 | 28 | | 5,96 |
| SUP 7876 (*) (■) | - | 50 | 75 | 65 | 128 | 85 | M38x2 | 28 | | 5,76 |
| SUP 7880 (■) | - | 60 (H7) | 100 | 75 | 140 | 87 | - | - | | 5,66 |

(*) CON DUE SEDI AMOVIBILI
A RICHIESTA FORO (D) RETTIFICATO
(■) CON INGRASSATORE

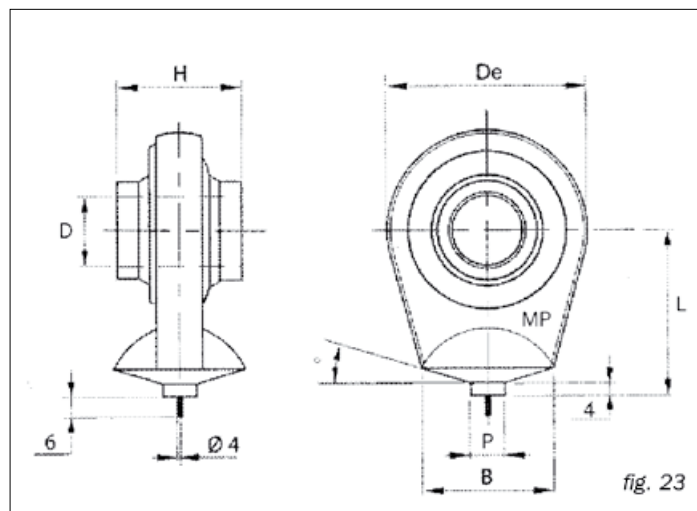
(*) WITH TWO REMOVABLE HALF OUTER RINGS
RECTIFIED HOLE ON REQUEST
(■) WITH GREASE NIPPLE

(*) AVEC DEUX DEMI BAGUES
TROU RECTIFIE SUR DEMANDE
(■) AVEC GRAISSEUR

(*) MIT 2 ABNEHMARE AUßENRINGE
A RICHIESTA FORO (D) RETTIFICATO
(■) MIT SCHMIERNIPPEL

SUP

- BALLS JOINT TERMINAL WITH ROUND END TO BE WELDED
- BORNE A ROTULE E ESTREMITA RONDE A SOUDER
- ENDEVERSCHLUSS DURCH KUGELGELENK MIT RUNDENDUNG ZUM SCHWEISSEN



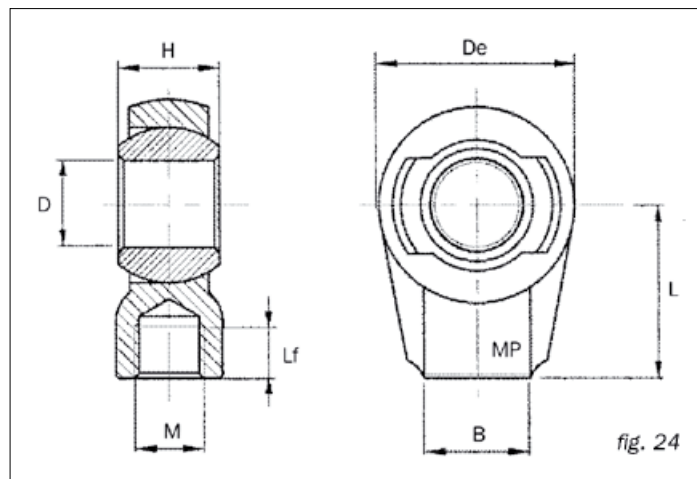
ACCOPIAMENTO ACCIAIO SU ACCIAIO
CORPO IN ACCIAIO C.40 UNI EN 10083-1

| art. | CAT. | D (A12) | H (h11) | B (Ø) | De | L | P | °GRADI | PESO |
|----------|------|---------|---------|-------|----|----|----|--------|------|
| | | | | | | | | | Kg. |
| SUP 6731 | 1 | 19 | 51 | 35 | 75 | 55 | 12 | 15 | 0,88 |
| SUP 6732 | - | 22,1 | 51 | 35 | 75 | 55 | 12 | 15 | 0,87 |
| SUP 6733 | - | 28,4 | 51 | 35 | 75 | 55 | 12 | 15 | 0,82 |
| SUP 6736 | 2 | 25,4 | 51 | 35 | 75 | 55 | 12 | 15 | 0,84 |
| SUP 6738 | - | 30 | 51 | 35 | 75 | 55 | 12 | 15 | 0,78 |
| SUP 7808 | - | 30 | 55 | 45 | 83 | 65 | 20 | 20 | 1,50 |
| SUP 7811 | 3 | 32 | 51 | 45 | 83 | 65 | 20 | 20 | 1,40 |
| SUP 7814 | - | 35 | 55 | 45 | 83 | 65 | 20 | 20 | 1,42 |

supporto a snodo sferico smontabile

SUP

- HOUSING WITH DISMOUNTABLE BALL JOINT
- SUPPORT AVEC ROTULE SPHERIQUE DEMONTABLE
- ABMONTIERBARES KUGELGELENKLAGER



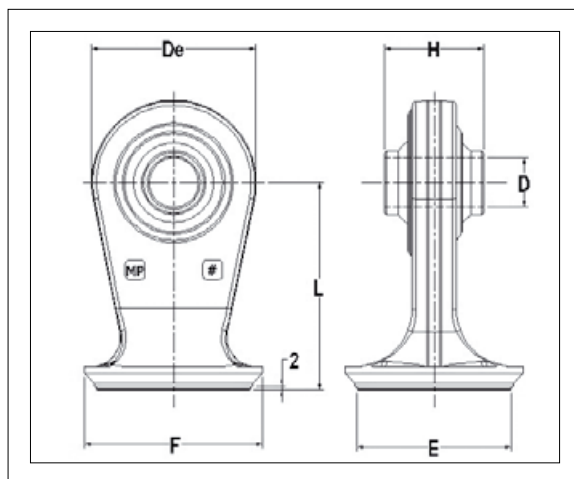
ACCOPIAMENTO ACCIAIO SU ACCIAIO
CORPO IN ACCIAIO C.40 ZINCATO UNI EN 10083-1

| art. | D (H10) | H (H10) | B (Ø) | De | L | M | Lf | NOTE | PESO |
|----------|---------|---------|-------|----|----|---------|----|---------------|------|
| | | | | | | | | | Kg. |
| SUP 7900 | 16 | 20 | 27 | 44 | 45 | M16x1,5 | 20 | BASE SPIANATA | 0,28 |
| SUP 7910 | 20 | 20 | 27 | 44 | 45 | M18x1,5 | 20 | BASE SPIANATA | 0,25 |
| SUP 7920 | 25 | 30 | 35 | 61 | 60 | M20x1,5 | 25 | BASE SPIANATA | 0,80 |
| SUP 7930 | 30 | 30 | 35 | 61 | 60 | M22x1,5 | 25 | BASE SPIANATA | 0,72 |
| SUP 7940 | 35 | 40 | 45 | 80 | 80 | M27x2 | 35 | BASE SPIANATA | 1,70 |
| SUP 7950 | 40 | 40 | 45 | 80 | 80 | M30x2 | 35 | BASE SPIANATA | 1,60 |

FSUP

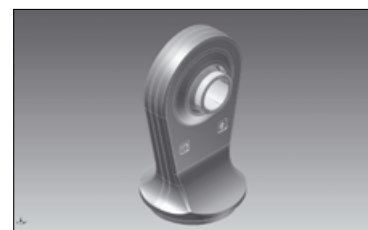
• **ACCOPIAMENTO ACCIAIO SU ACCIAIO**
MATERIALE: C40

- COUPLING: STEEL / STEEL
MATERIAL: C40
- ACCOUPLEMENT: ACIER / ACIER
MATERIEL: C40
- STAHL / STAHL
MATERIAL: C40



| art. | De | L | D (A12) | H | E | F |
|--------------------|----|-----|---------|----|----|----|
| FSUP6740D60 | 85 | 107 | 25,4 | 51 | 60 | 70 |
| FSUP6740D63 | 85 | 107 | 25,5 | 51 | 63 | 73 |
| FSUP6740D70 | 85 | 107 | 25,4 | 51 | 70 | 80 |
| FSUP6740D80 | 85 | 107 | 25,4 | 51 | 80 | 92 |

- IN FASE D'ORDINE IL CLIENTE DOVRA' SPECIFICARE LE MISURE RELATIVE ALLE LAVORAZIONE DEL FONDELLO.
- BULKHEAD DIMENSIONS MUST BE ADVISED WHEN THE ORDER IS PLACED

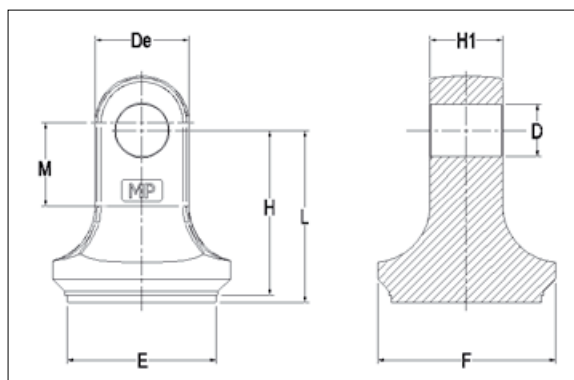


DISPONIBILI SU RICHIESTA DISEGNI IN 3D.
3D VERSION AVAILABLE UPON REQUEST.
VERSION 3D DISPONIBLE SUR DEMANDE.
3D VERSION AUF ANFRAGE VERFÜGBAR.

EFN

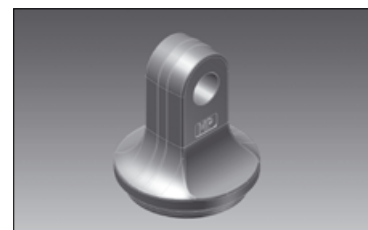
• **MATERIALE: C40 BONIFICATO**

- MATERIAL: C40 TEMPERED
- MATERIEL: C40 TREMPÉ
- MATERIAL: C40 TEMPERED



| art. | D (A12) | H | H1 | De | M | L | E | F |
|-----------------|---------|----|----|----|----|----|----|-----|
| EFN80A11 | 28 | 88 | 40 | 50 | 48 | 92 | 80 | 95 |
| EFN80A13 | 25 | 88 | 40 | 50 | 48 | 92 | 80 | 95 |
| EFN90A2 | 28 | 88 | 40 | 50 | 48 | 92 | 90 | 103 |
| EFN90A4 | 25 | 88 | 40 | 50 | 48 | 92 | 90 | 103 |

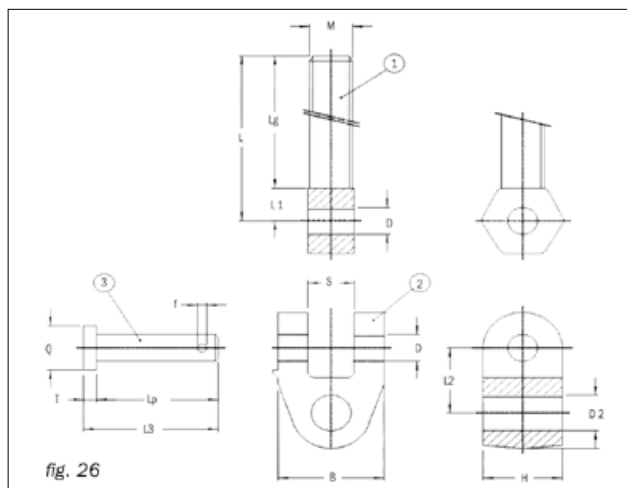
- IN FASE D'ORDINE IL CLIENTE DOVRA' SPECIFICARE LE MISURE RELATIVE ALLE LAVORAZIONE DEL FONDELLO.
- BULKHEAD DIMENSIONS MUST BE ADVISED WHEN THE ORDER IS PLACED



DISPONIBILI SU RICHIESTA DISEGNI IN 3D.
3D VERSION AVAILABLE UPON REQUEST.
VERSION 3D DISPONIBLE SUR DEMANDE.
3D VERSION AUF ANFRAGE VERFÜGBAR.

ASF

- ARTICULATED YOKE FOR HYDRAULIC 3° POINT LINKAGE CAT. 2-3
- ARTICULATION POUR 3° POINT HYDRAULIQUE CAT. 2-3
- GABELGELENKKOPF FÜR HYDRAULISCHEN OBERLENKER KAT. 2-3



TIRANTE FILETTATO

| art. | CAT. | M | L | L1 | Lg |
|----------|------|----------|-----|----|-----|
| ASF 4462 | 2 | M30x3 DX | 205 | 35 | 170 |
| ASF 4464 | 2 | M30x3 SX | 220 | 30 | 190 |
| ASF 4466 | 3 | M36x3 SX | 220 | 30 | 190 |
| ASF 4468 | 3 | M36x3 SX | 220 | 30 | 190 |

CROCERA

| D | D2 | B | H | L2 | S |
|----|------|----|----|----|----|
| 25 | 26,5 | 64 | 50 | 54 | 30 |
| 28 | 25,4 | 85 | 50 | 63 | 40 |
| 28 | 32 | 85 | 50 | 63 | 40 |
| 28 | 28 | 85 | 50 | 63 | 40 |

tirante filettato per crocera (part.1)

TFC

- THREADED EN ASSEMBLIES FOR SHIFTER
- ROTULE AVEC FILETTAGE POUR CHARGE
- GELENKKOPF MIT GEWINDE
- MATERIALE C40

| art. | M | L | L1 | Lg | D | IMPIEGO | PESO Kg. |
|-------------|--|-----|----|-----|----|------------------------|----------|
| TFC 4456 | M30x3 DX | 220 | 30 | 190 | 28 | FRC 4463 - 4465 - 4467 | 1,42 |
| TFC 4457 | M30x3 DX | 205 | 35 | 170 | 25 | FRC 4461 | 1,42 |
| TFC 4458 | M30x3 SX | 220 | 30 | 190 | 28 | FRC 4463 - 4465 - 4467 | 1,42 |
| TFC 4459 | M36x3 SX | 220 | 30 | 190 | 28 | | 1,84 |
| TFC 4479 | M36x3 DX | 220 | 30 | 190 | 28 | | 1,84 |
| TGG 4500 | TIRANTE A GAMBO GREZZO Dg. 36 L=220 D.28 | | | | | | 2,00 |
| *ETFC4479AI | M36x3 DX | 100 | 30 | 70 | 28 | | 1,10 |

forcella crocera (part.2)

FRC

- SHIFTER
- CHAPE
- GABEL FÜR GELENKKOPF

MATERIALE:
C43 BONIFICATO
ZINCATO



| art. | D | D2 | B | H | L2 | S | PESO Kg. |
|----------|----|------|----|----|----|----|----------|
| FRC 4460 | 28 | 19 | 85 | 50 | 63 | 40 | 1,94 |
| FRC 4461 | 25 | 26,5 | 64 | 50 | 54 | 30 | 1,87 |
| FRC 4462 | 28 | 20 | 85 | 50 | 63 | 40 | 1,96 |
| FRC 4463 | 28 | 25,4 | 85 | 50 | 63 | 40 | 1,88 |
| FRC 4464 | 28 | 22 | 85 | 50 | 63 | 40 | 1,92 |
| FRC 4465 | 28 | 32 | 85 | 50 | 63 | 40 | 1,74 |
| FRC 4466 | 28 | 30 | 85 | 50 | 63 | 40 | 1,78 |
| FRC 4467 | 28 | 28 | 85 | 50 | 63 | 40 | 1,84 |
| FRC 4468 | 28 | 35 | 85 | 50 | 63 | 40 | 1,66 |
| FRC 4469 | 28 | 37 | 85 | 50 | 63 | 40 | 1,66 |
| FRC 4470 | 28 | 28 | 75 | 65 | 57 | 40 | 1,46 |

perno (part.3)

PTQ

- PIN
- AXE
- BOLZEN

| ART. | D | Q | L3 | Lp | T | f | PESO Kg. |
|----------|----|----|----|----|---|---|----------|
| PTQ 1194 | 28 | 34 | 85 | 80 | 5 | 6 | 0,60 |
| PTQ 1195 | 28 | 34 | 95 | 90 | 5 | 6 | 0,63 |

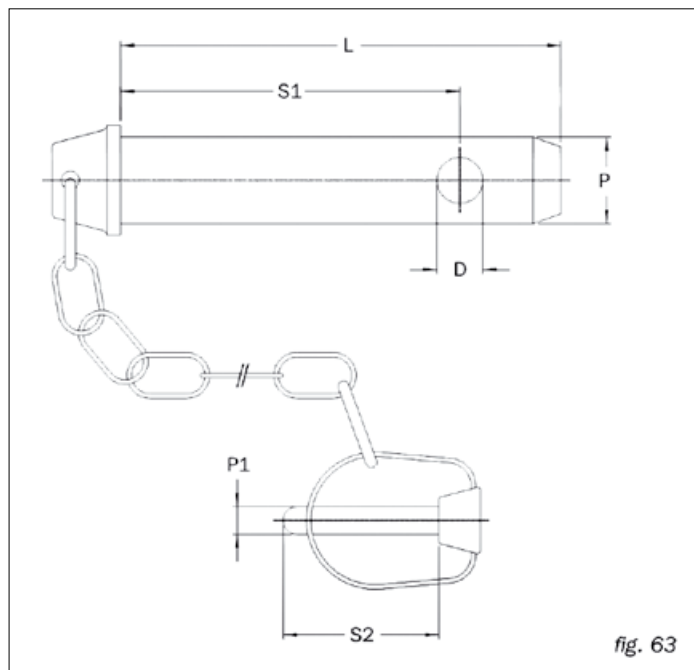
perno per 3° punto completo di catena e spina a scatto

PRC

- TOP LINK PIN WITH CHAIN AND LINCH PIN
- AXE ATTELAGE 3ème POINT AVEC CHAINE ET GOUPILLE
- OBERLENKERBOLZEN KPT. MIT ANKERUNGSKETTE UND KLAPPSPLINT

MATERIALE: ACCIAIO C40

| art. | CAT. | P | L | S1 | D | P1 | S2 | PESO Kg. |
|----------|------|----|-----|-----|----|----|----|-------------|
| PRC 3300 | 1 | 19 | 110 | 95 | 11 | 10 | 46 | 0,34 |
| PRC 3310 | 2 | 25 | 115 | 100 | 11 | 10 | 46 | 0,56 |



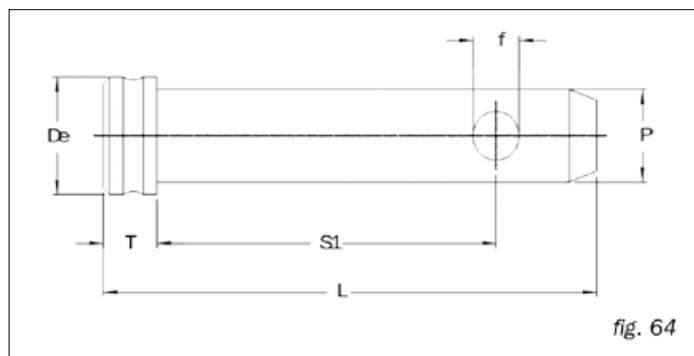
perno per 3° punto senza catena e senza spina

PRS

- TOPLINK PIN WITHOUT CHAIN AND WITHOUT LINCH PIN
- AXE D'ATTELAGE 3ème POINT SANS CHAINE ET SANS GOUPILLE
- OBERLENKERBOLZEN KPT. OHNE ANKERUNGSKETTE UND KLAPPSPLINT

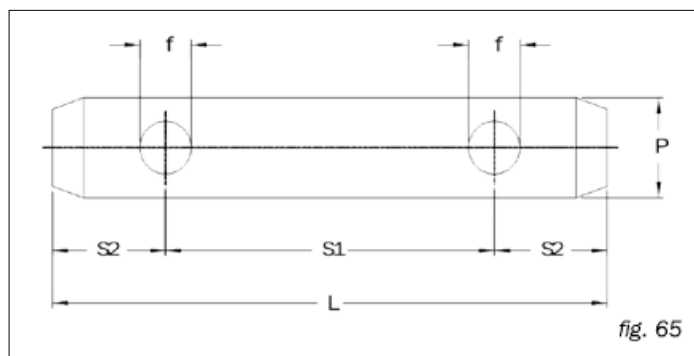
MATERIALE: ACCIAIO C40

| art. | CAT. | P | De | T | L | S1 | f | PESO Kg. |
|----------|------|----|----|----|-----|-----|----|-------------|
| PRS 3320 | 1 | 19 | 25 | 15 | 125 | 85 | 12 | 0,27 |
| PRS 3330 | 2 | 25 | 30 | 15 | 135 | 95 | 12 | 0,54 |
| PRS 3335 | 3 | 32 | 42 | 20 | 152 | 105 | 12 | 0,96 |



MATERIALE: ACCIAIO C40

| art. | CAT. | P | L | S1 | S2 | f | PESO Kg. |
|----------|------|----|-----|-----|----|----|-------------|
| PRS 3400 | 1 | 19 | 140 | 96 | 22 | 12 | 0,26 |
| PRS 3410 | 1 | 19 | 170 | 126 | 22 | 12 | 0,34 |
| PRS 3420 | 1 | 19 | 207 | 163 | 22 | 12 | 0,42 |
| PRS 3430 | 1 | 19 | 254 | 210 | 22 | 12 | 0,52 |
| PRS 3450 | 2 | 25 | 144 | 100 | 22 | 12 | 0,52 |
| PRS 3460 | 2 | 25 | 164 | 120 | 22 | 12 | 0,56 |
| PRS 3470 | 2 | 25 | 210 | 166 | 22 | 12 | 0,76 |
| PRS 3480 | 2 | 25 | 254 | 210 | 22 | 12 | 0,92 |
| PRS 3490 | 2 | 25 | 294 | 250 | 22 | 12 | 1,10 |



PAT

- IMPLEMENT MOUNTING PIN
- AXE ATTELAGE OUTILS
- GERÄTEBOLZEN

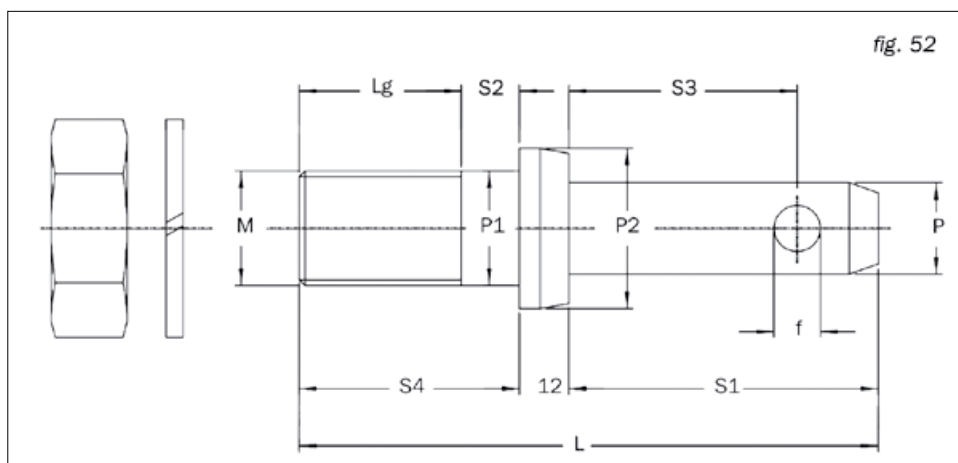


fig. 52

MATERIALE: ACCIAIO C40

| art. | P | P1 | P2 | L | S1 | S2 | S3 | S4 | M | Lg | f | IMPIEGO | PESO |
|----------|----|----|----|-----|----|----|----|----|---------|----|----|------------|------|
| | | | | | | | | | | | | | Kg. |
| PAT 1000 | 22 | 28 | 38 | 140 | 74 | 14 | 50 | 54 | M22x1,5 | 40 | 12 | UNIVERSALE | 0,54 |
| PAT 1010 | 28 | 28 | 44 | 150 | 78 | 20 | 60 | 60 | M22x1,5 | 40 | 12 | UNIVERSALE | 0,80 |
| PAT 1020 | 22 | 22 | 38 | 140 | 74 | 14 | 50 | 54 | M22x1,5 | 40 | 12 | UNIVERSALE | 0,52 |
| PAT 1025 | 22 | 20 | 38 | 140 | 74 | 14 | 50 | 54 | M20x1,5 | 40 | 12 | UNIVERSALE | 0,50 |
| PAT 1030 | 28 | 22 | 44 | 150 | 78 | 14 | 60 | 60 | M22x1,5 | 46 | 12 | UNIVERSALE | 0,76 |
| PAT 1035 | 22 | 30 | 44 | 136 | 78 | 12 | 52 | 46 | M30x2 | 34 | 12 | CELLI | 0,82 |
| PAT 1036 | 28 | 30 | 44 | 136 | 78 | 12 | 52 | 46 | M30x2 | 34 | 12 | CELLI | 0,98 |
| PAT 1038 | 22 | 24 | 40 | 140 | 74 | 18 | 50 | 54 | M22x1,5 | 40 | 12 | MASCHIO | 0,52 |
| PAT 1040 | 28 | 24 | 44 | 144 | 78 | 18 | 60 | 54 | M22x1,5 | 40 | 12 | MASCHIO | 0,72 |
| PAT 1042 | 22 | 25 | 40 | 140 | 74 | 14 | 50 | 54 | M22x1,5 | 40 | 12 | SICMA | 0,54 |
| PAT 1044 | 28 | 25 | 44 | 144 | 78 | 14 | 60 | 54 | M22x1,5 | 40 | 12 | SICMA | 0,74 |
| PAT 1046 | 22 | 27 | 40 | 140 | 74 | 18 | 50 | 54 | M22x1,5 | 40 | 12 | NARDI | 0,54 |
| PAT 1048 | 28 | 27 | 44 | 144 | 78 | 18 | 60 | 54 | M22x1,5 | 40 | 12 | NARDI | 0,74 |

perno doppio per attacco attrezzi

PDA

- DOUBLE IMPLEMENT MOUNTING PIN
- AXE DOUBLE POUR ATTELAGE OUTIL
- DOPPELTER GERÄTEBOLZEN

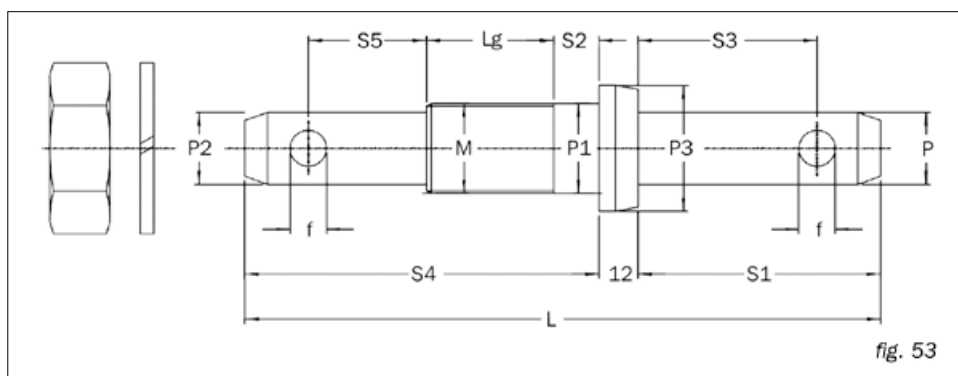


fig. 53

MATERIALE: ACCIAIO C40

| art. | P | P1 | P2 | P3 | L | S1 | S2 | S3 | S4 | S5 | M | Lg | f | PESO |
|----------|----|----|----|----|-----|----|----|----|-----|----|-------|----|----|------|
| | | | | | | | | | | | | | | Kg. |
| PDA 1050 | 28 | 28 | 22 | 44 | 199 | 79 | 14 | 58 | 108 | 48 | M27x3 | 28 | 12 | 0,96 |
| PDA 1060 | 28 | 25 | 22 | 44 | 199 | 79 | 14 | 58 | 108 | 48 | M24x2 | 28 | 12 | 0,96 |

BO

- SWINGING END
- SCHWINGENDE ENDE

MATERIALE: C45

- TRATTAMENTO DI TEMPRA AD INDUZIONE

| art. | Ø d | Ø P | Ø B | L | L1 | PESO |
|----------|-----|-----|-----|-----|----|------|
| | | | | | | Kg. |
| BO 11803 | 50 | 40 | 85 | 82 | 20 | 2,20 |
| BO 11804 | 60 | 50 | 98 | 100 | 25 | 3,40 |
| BO 11805 | 70 | 60 | 105 | 115 | 30 | 4,82 |

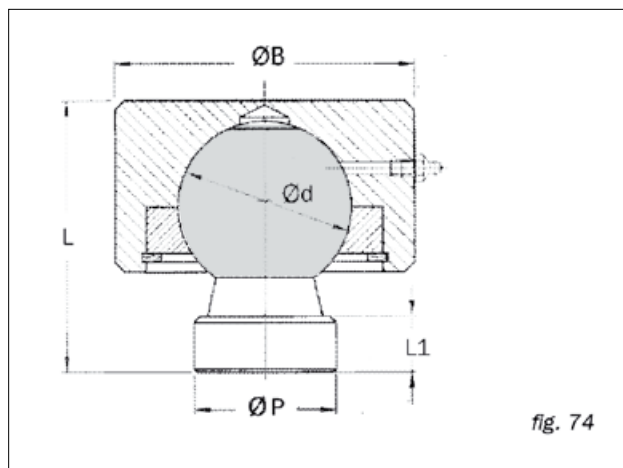


fig. 74

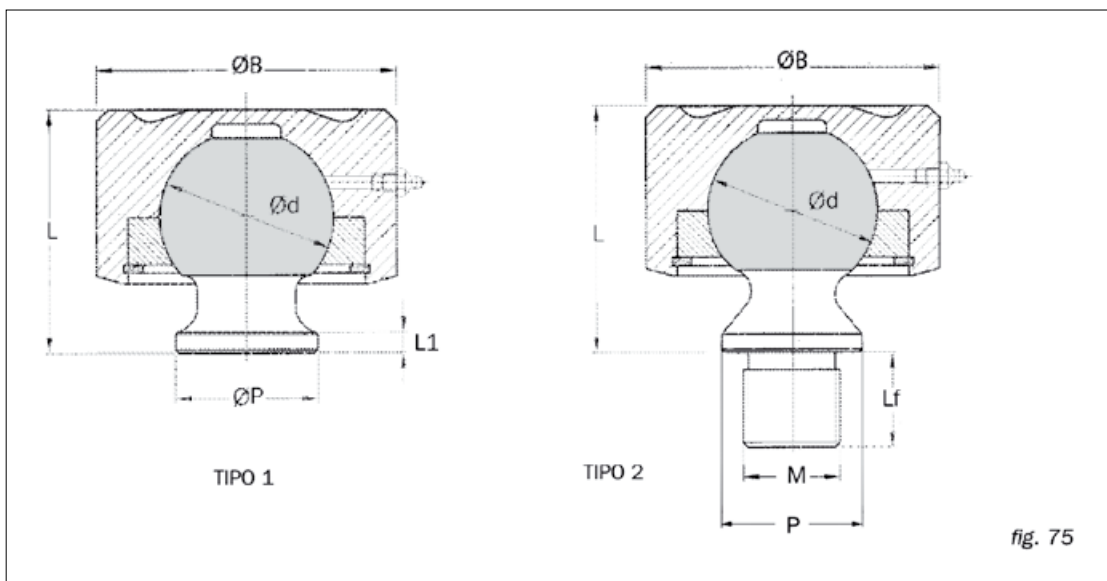


fig. 75

| art. | Ø d | Ø P | Ø B | L | L1 | M | Lf | TYPE | PESO |
|----------|-----|-----|-----|----|----|---------|----|------|------|
| | | | | | | | | | Kg. |
| BO 11980 | 45 | 30 | 110 | 60 | 8 | - | - | 1 | 2,20 |
| BO 11982 | 55 | 45 | 95 | 76 | 8 | - | - | 1 | 2,88 |
| BO 11984 | 65 | 64 | 107 | 88 | 9 | - | - | 1 | 3,96 |
| BO 11986 | 45 | 30 | 110 | 65 | - | M22X1,5 | 26 | 2 | 2,42 |
| BO 11988 | 55 | 45 | 95 | 77 | - | M32X2 | 31 | 2 | 3,10 |

| art. | Ø d | Ø P | Ø B | Ø S | L | L1 | § | PESO |
|----------|-----|-----|-----|-----|-------|------|----|------|
| | | | | | | | | Kg. |
| BO 11700 | 45 | 36 | 88 | - | 106 | 61 | 25 | 2,10 |
| BO 11701 | 45 | 36 | 88 | 8,4 | 106 | 58,5 | - | 2,40 |
| BO 11702 | 55 | 36 | 92 | 8,4 | 118,5 | 62 | - | 3,10 |

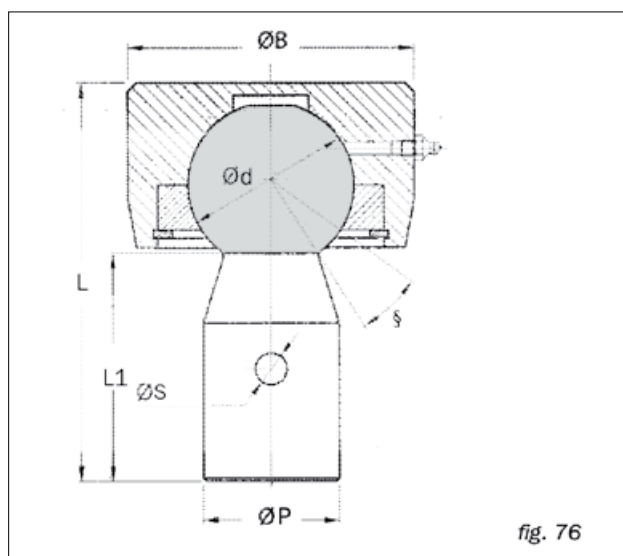


fig. 76

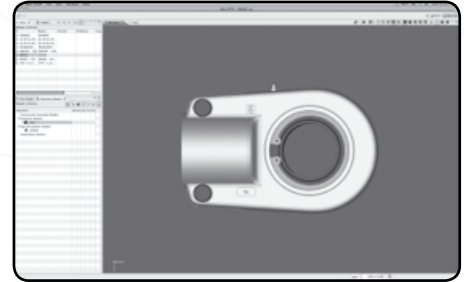
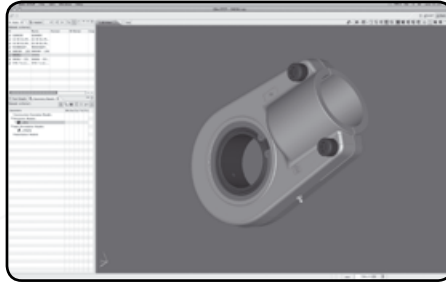
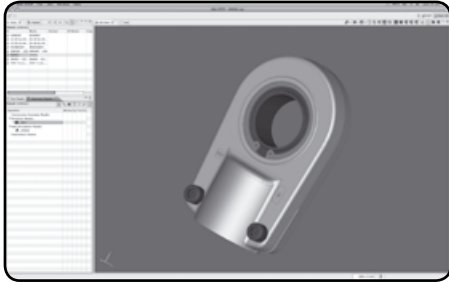
SOFTWARE 3D / 3D SOFTWARE

MAC POWER è la prima azienda del settore dei terminali a snodo ad utilizzare un SOFTWARE per la visualizzazione dei prodotti in 3D con la possibilità di visionarli sotto ogni angolazione.

MAC POWER is one of the first to use a software for 3D visualization which gives you the possibility to visualize our products from any angle.

MAC POWER Mac Power est la première société dans le secteur des embouts à rotule à utiliser un Software pour l'affichage en 3D des produits, avec la possibilité de les parcourir de chaque côté.

MAC POWER ist eine der ersten, die eine Software für 3D Visualisierung benutzen. Dies gibt Ihnen die Möglichkeit unsere Produkte aus jedem Winkel zu besichtigen.



CERTIFICAZIONE / CERTIFICATIONS

Nel 2011 **MAC POWER** ha raggiunto l'importante traguardo della Certificazione del Sistema di Qualità aziendale secondo la norma internazionale UNI EN ISO 9001:2008.

L'intero sistema organizzativo e produttivo è teso al perseguimento e la messa in pratica di otto principi guida:

1) Orientamento al cliente - 2) Leadership - 3) Coinvolgimento del personale - 4) Approccio per processi - 5) Approccio sistematico alla gestione - 6) Miglioramento continuo - 7) Decisioni basate su dati di fatto - 8) Rapporti di reciproco beneficio con i fornitori.

In 2011 **MAC POWER** reached the international standard of the Quality System Certification according to UNI EN ISO 9001:2008.

The whole system organization and production is aimed at the pursuit and implementation of eight guiding principles:

1) Customer orientation - 2) Leadership - 3) Staff involvement - 4) Process approach - 5) Systematic approach to management - 6) Continuous improvement - 7) Decisions based on facts - 8) Mutually beneficial relationships with suppliers.

En 2011 **MAC POWER** a obtenu la certification du système de qualité conformément aux normes internationales UNI EN ISO 9001:2008.

L'ensemble de l'organisation et du système de production a le but de mener et mettre en pratique 8 principes directeurs:

1) Orientation vers le client - 2) Leadership - 3) Participation/implication du personnel entier - 4) Approche sur base des processus internes - 5) Approche sur base systématique de la gestion - 6) Amélioration continue - 7) Décisions sur base des faits 8. Rapport de benefice/intérêt mutuel avec les fournisseurs.

Im Jahr 2011 hat **MAC POWER** den internationalen Standard durch die Zertifizierung nach UNI EN ISO 9001:2008 erhalten.

Das ganze System der Organisation und Produktion wird durch folgende acht Leitsätze geprägt:

1) Kundenorientierung - 2) Leadership - 3) Einbeziehung des Personals - 4) Prozessorientierung - 5) Systematisches Vorgehen des Managements - 6) kontinuierliche Verbesserung - 7) Faktenbasierte Entscheidungen - 8) Gegenseitig vorteilhafte Beziehungen mit Lieferanten.



UNI EN ISO 9001:2008
CERT. N. 50 100 10098 - Rev. 02

**MAC
POWER**

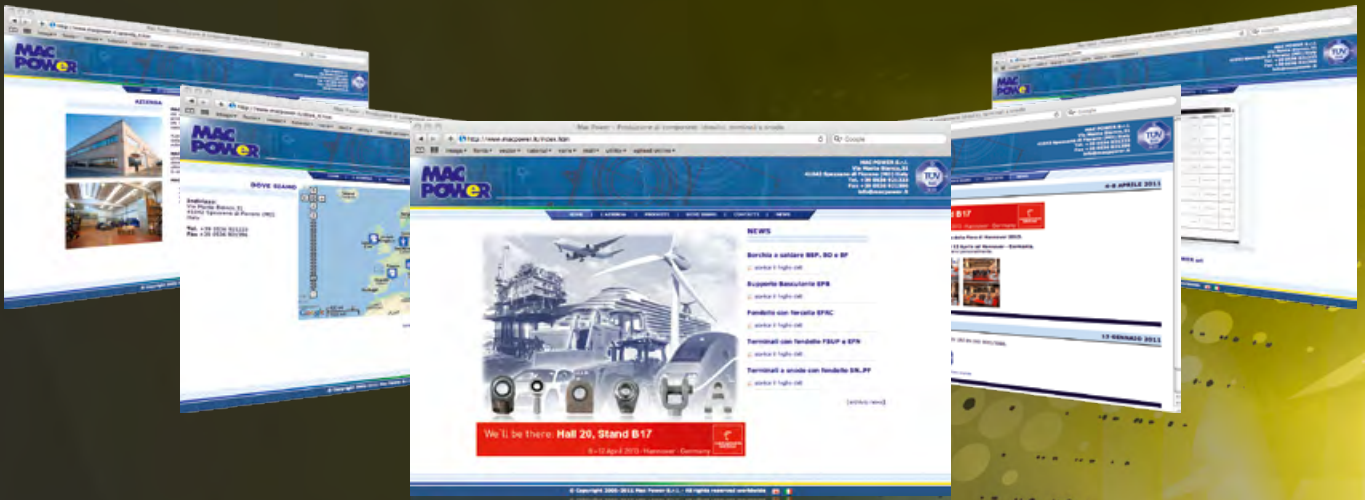
SITO WEB / WEB SITE

MAC POWER è presente sul web con il proprio sito **www.macpower.it** dove è possibile tenersi aggiornati sulle novità della produzione, sulla partecipazione alle fiere internazionali di settore e consultare il catalogo generale.

MAC POWER is on the web with its website **www.macpower.it** where you get the latest news of production, participation in international trade fairs and where you can easily consult the general catalogue.

MAC POWER est sur le Web avec son site **www.macpower.it** dans lequel Vous pouvez vous tenir à jour sur les nouvelles de la production ou de la participation aux foires commerciales internationales et consulter le catalogue général.

MAC POWER ist im Internet auf der Website **www.macpower.it** vertreten wo Sie sich über Produktionsneuheiten, das Ausstellen auf internationalen Messen informieren und bequem unseren Produktkatalog herunterladen oder durchblättern können.



www.macpower.it

MAC POWER

Via Monte Bianco, 31
Spezzano di Fiorano (MO) IT
Tel. +39 0536 921223
Fax. +39 0536 928236
Web: www.macpower.it
E-mail: info@macpower.it

come
raggiungerci
how to
reach us

